

TOP BEAM BalanceBox® 650

**BalanceBox®**  
Height Adjustable Manual Mounts

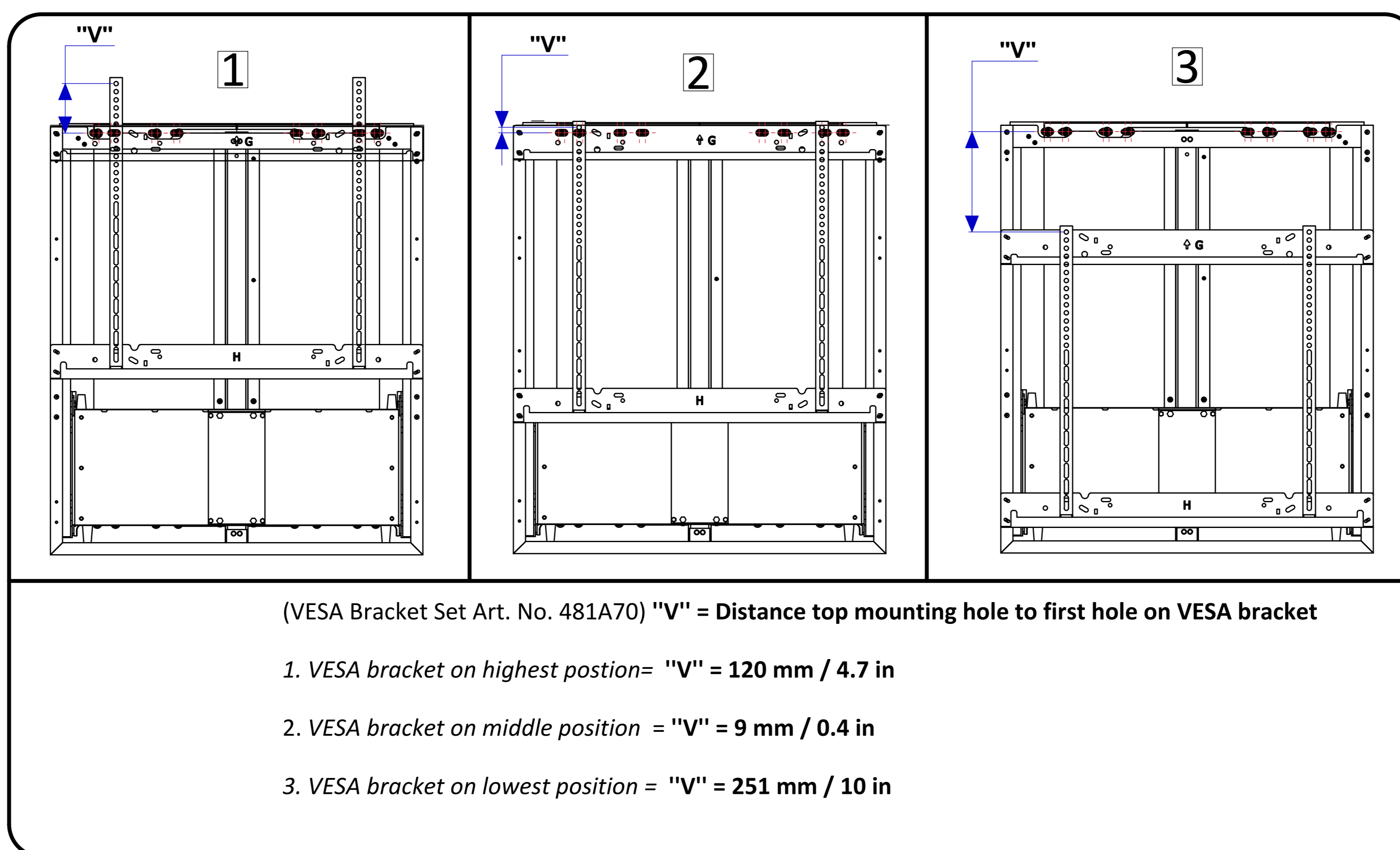
# BalanceBox® 650 Mounting Template

410 mm  
[16 in]  
610 mm  
[24 in]  
700mm  
[28 in]

BalanceBox® 650 TOP BEAM mounting

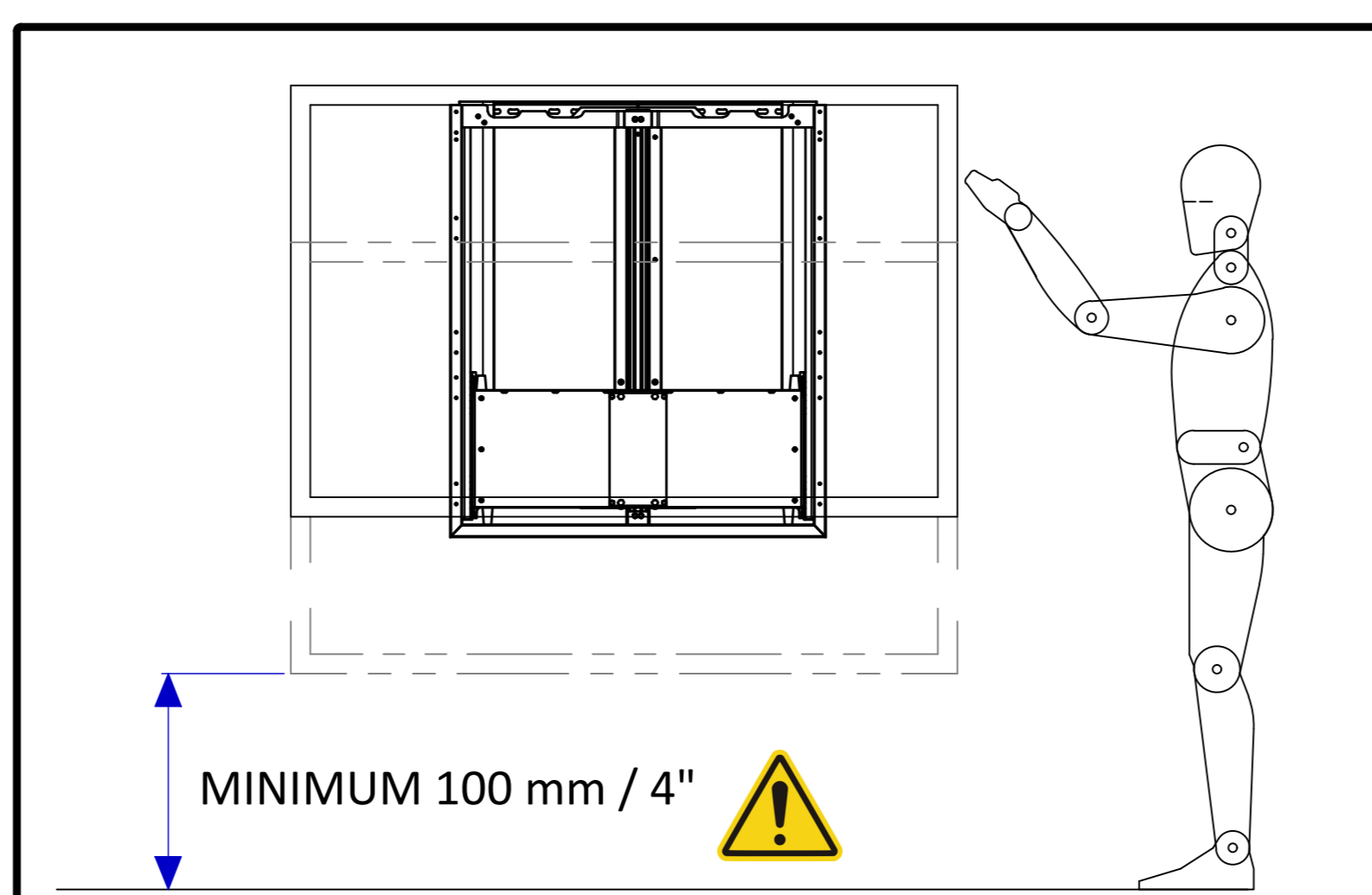


Regout Balance Systems B.V. is not responsible for installation.



969 mm  
[38 in]

For height calculation: go to the height calculator on:  
[www.heightadjustablemounts.com](http://www.heightadjustablemounts.com) - BalanceBox®-650



Scan me!

BalanceBox® 650 Wallbracket mounting

WALLBRACKET BalanceBox® 650