



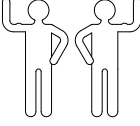

**Installation manual**

Part nr. 902904-00


# X-Line Mobile stand

Mobile stand for BalanceBox®400


Safety Instructions



Tools needed

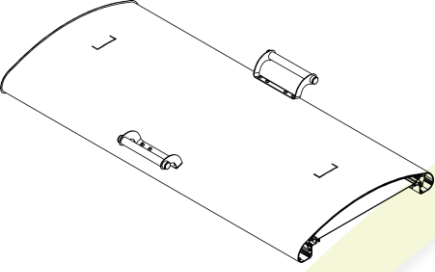



5




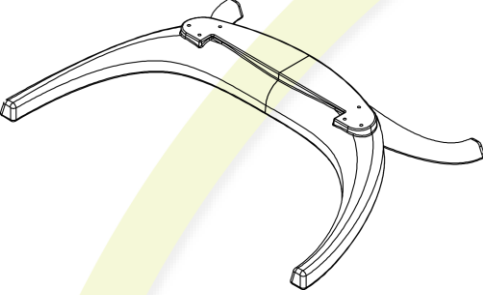
6


What's in the box:

1x 

1x 


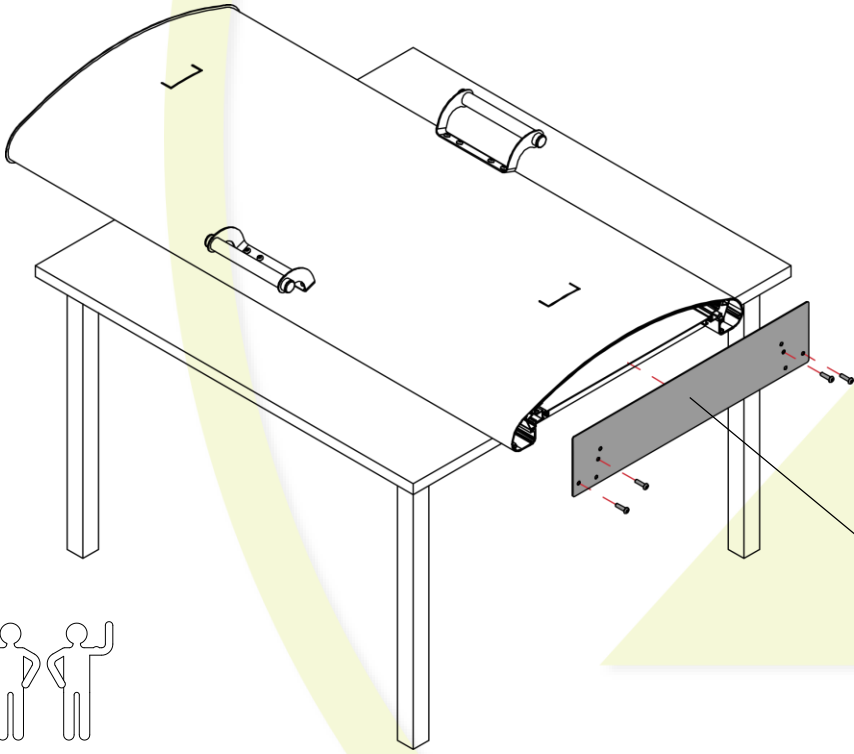
1x 

1x 


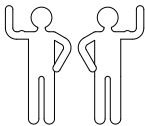
4x 

1

Place the column onto a table and remove the bottom plate



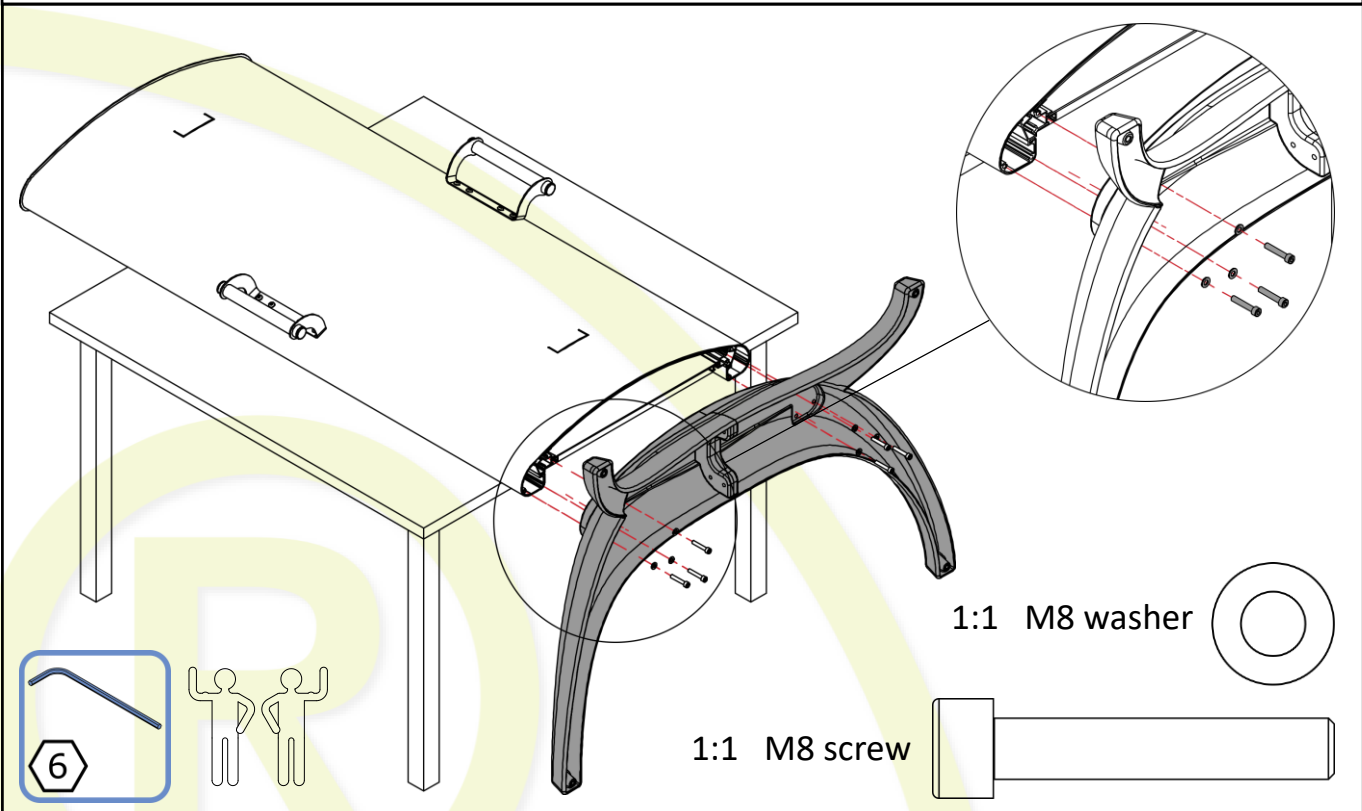
5



2

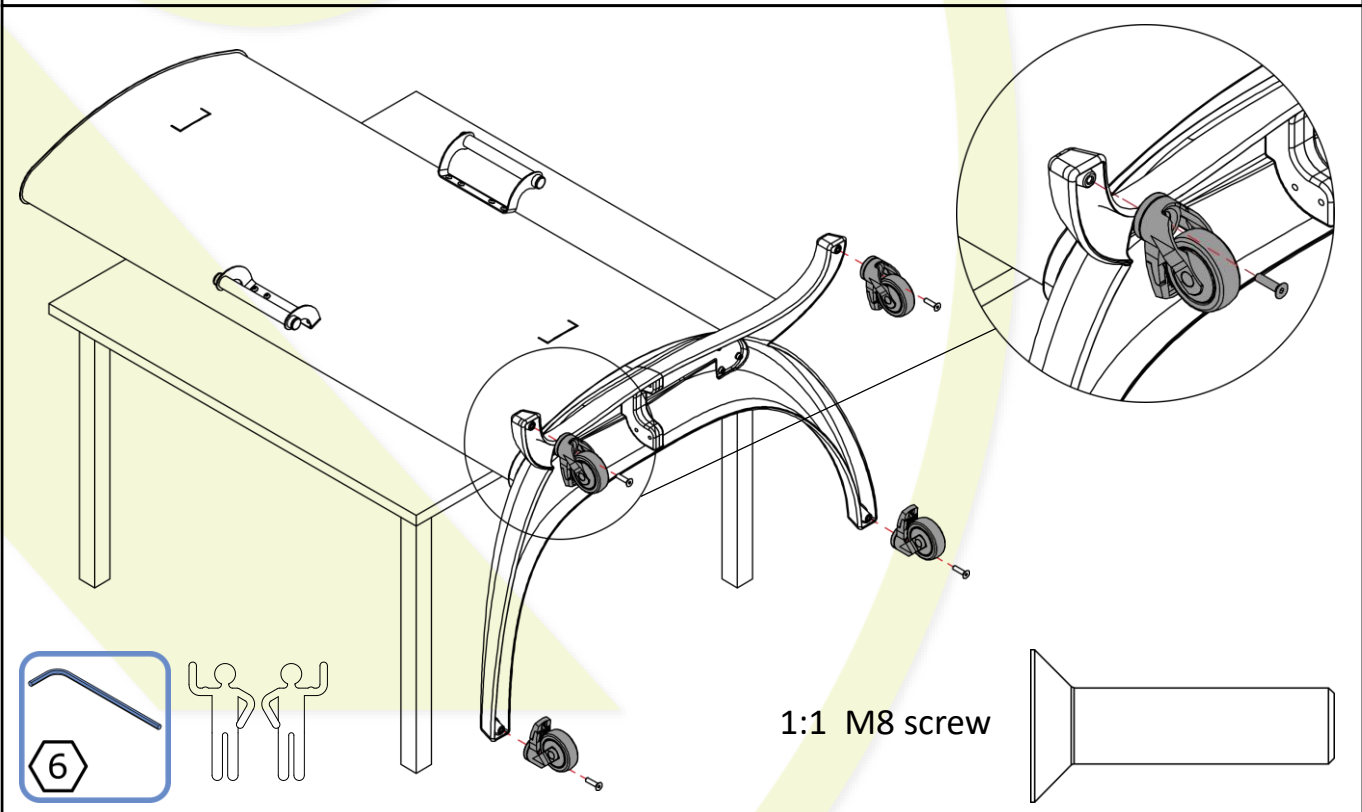
**2**

Mount the base onto the column with 6 M8 washers and 6 M8 screws



**3**

Mount the wheels with the M10 screws

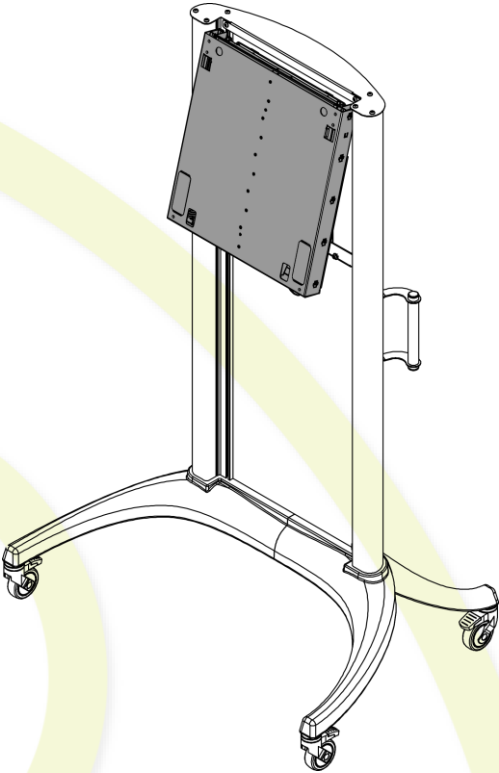


**4**

Place the X-Line mobile stand on its wheels and mount the BalanceBox®

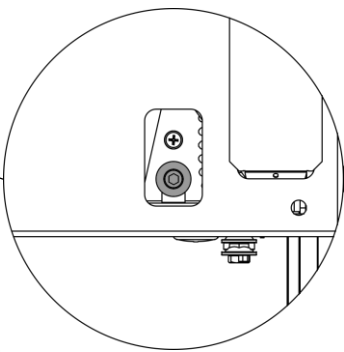
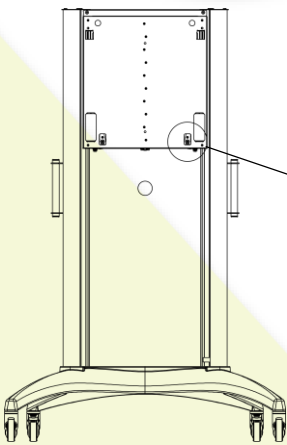


For mounting the  
BalanceBox®400  
use manual 902852



**5**

Secure the BalanceBox® at the underside with 2 M6 washers and 2 M6 screws



1:1 M6 screw

1:1 M6 washer

