

**Installation manual**  
**Instruction d'installation**

Part nr. 902811-02

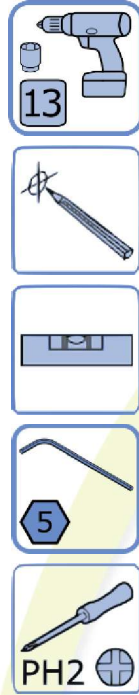
# BalanceBox®650

Height adjustment for large touchscreens

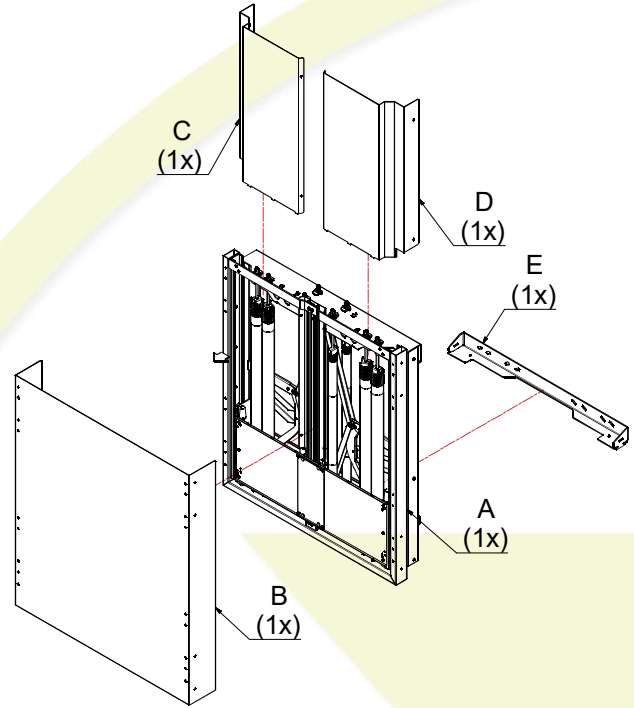
Safety Instructions  
*Instruction de sécurité*



Tools needed  
*Outils nécessaires*

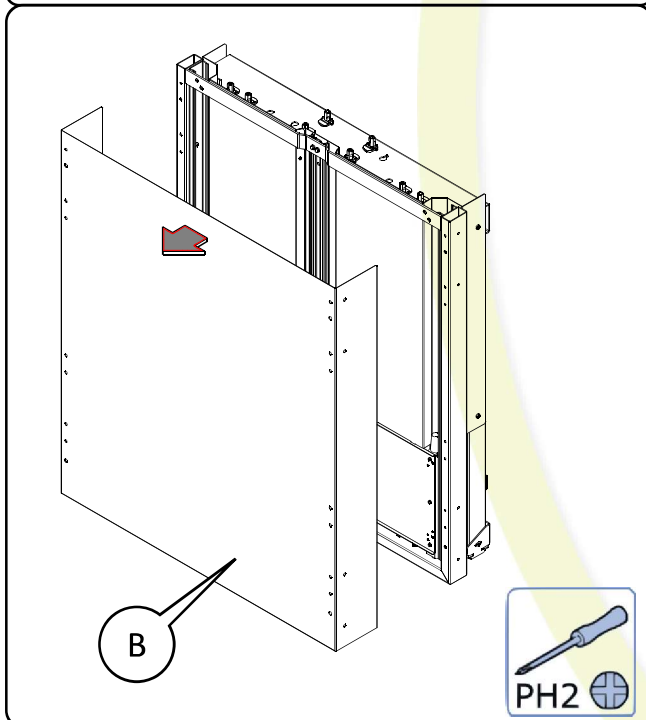


The contents of the box  
*Le contenu de la boîte*



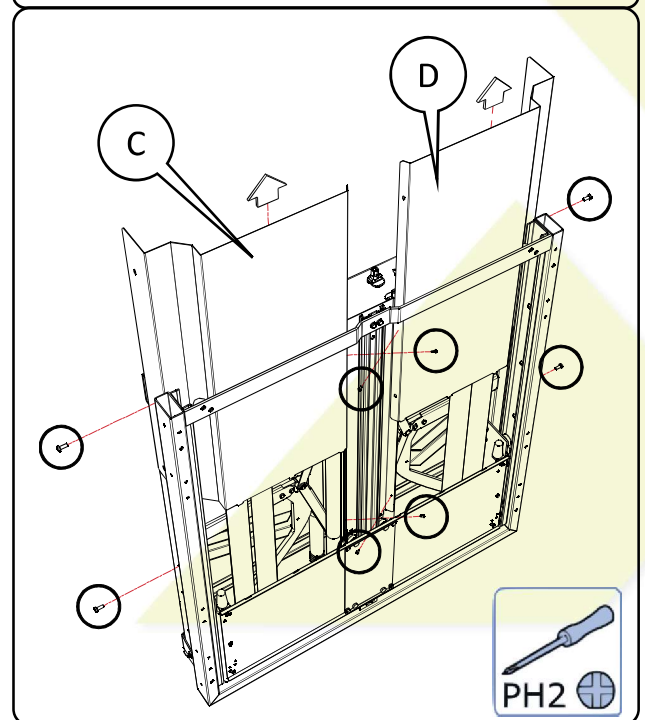
1

Remove application cover B



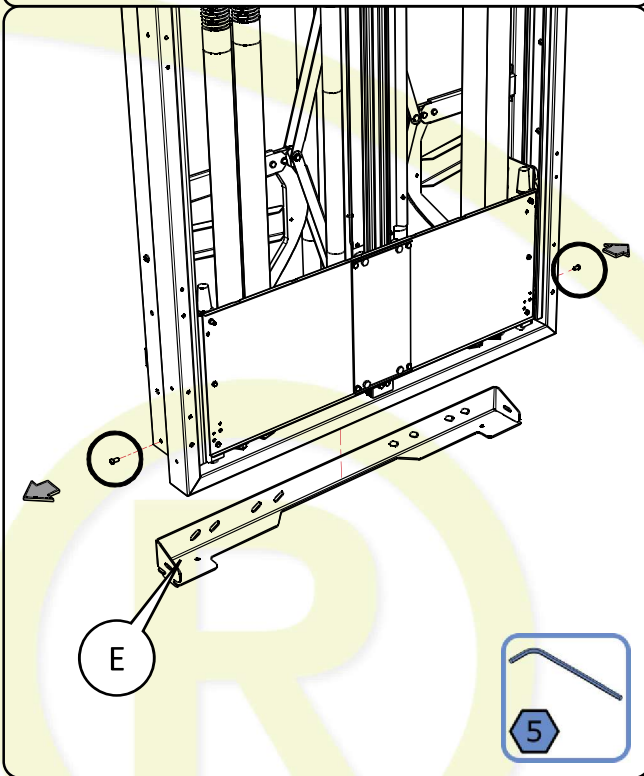
2

Remove wall-frame covers C and D



3

Remove wall bracket E, use 5 mm Allen key

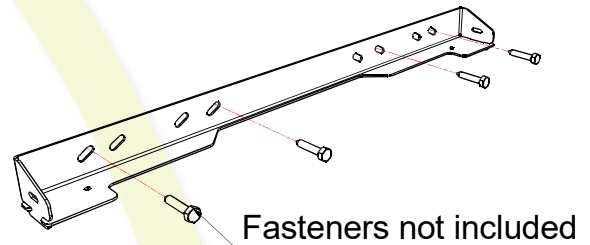
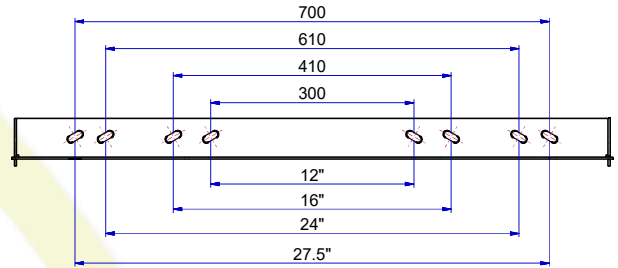


4

Mount bottom wall bracket level to wall.  
Use min. 4 x 8 mm. (5/16") screws (not included)

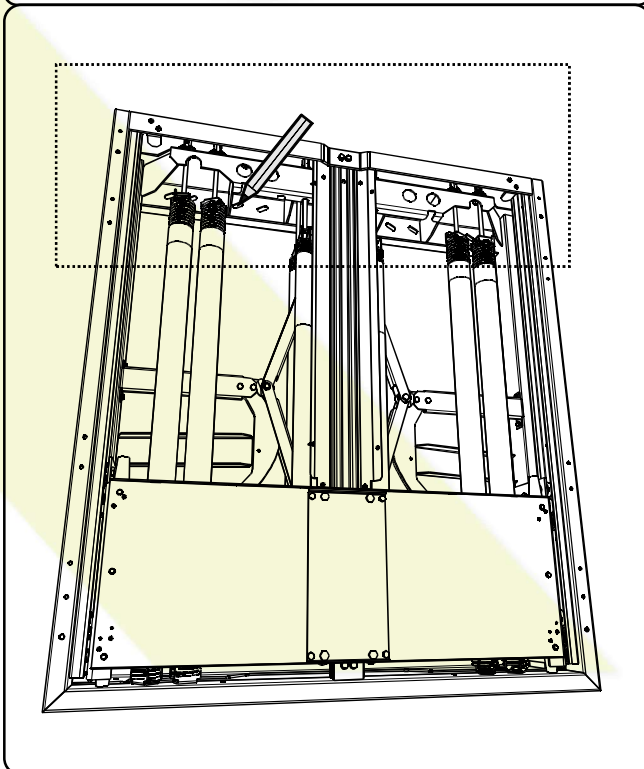
Mounting height  
calculator on:

[www.balancebox.eu](http://www.balancebox.eu) →



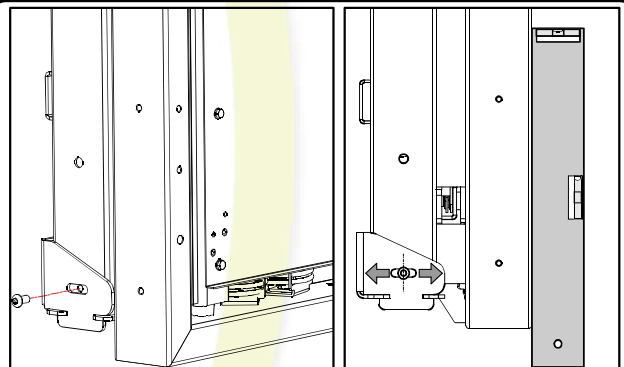
5

Lift BalanceBox®650 onto the wall bracket,  
mark the top holes. Take the BalanceBox®650  
down and drill holes

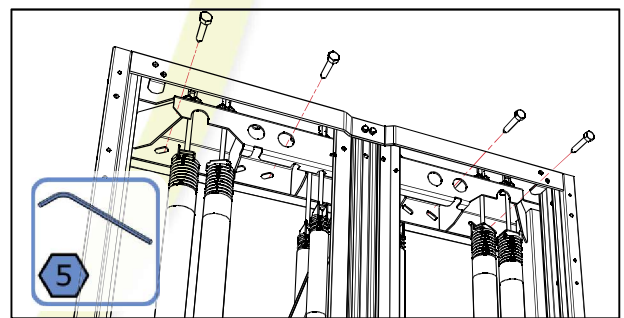


6

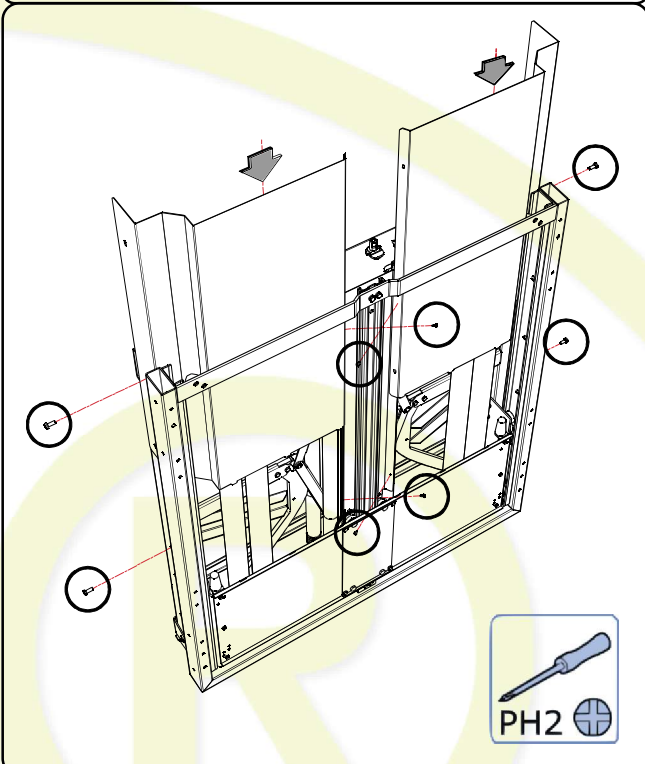
Fix at bottom and level, then tighten.  
Use 5 mm Allen key



Mount BalanceBox at the top.  
Use min. 4 x 8mm. (5/16") screws (not included)

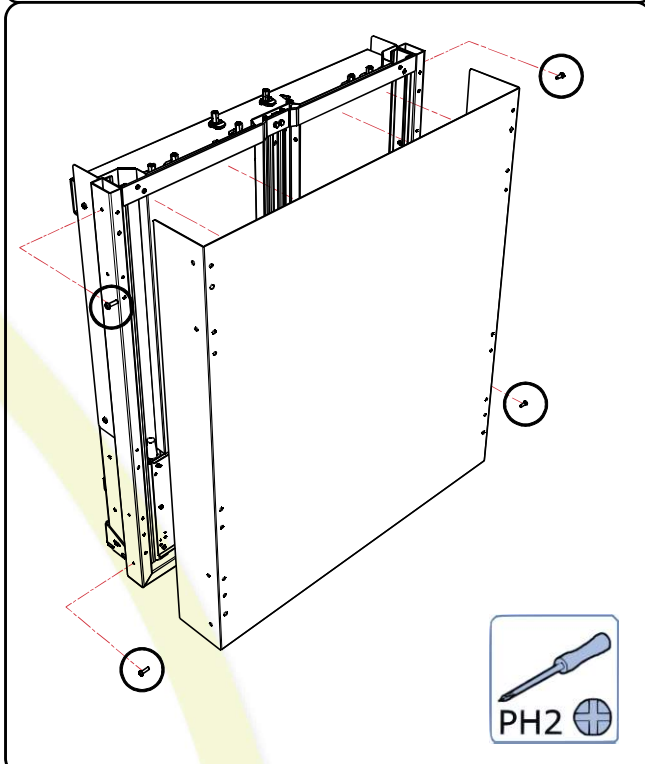


**7** Mount the wall frame covers



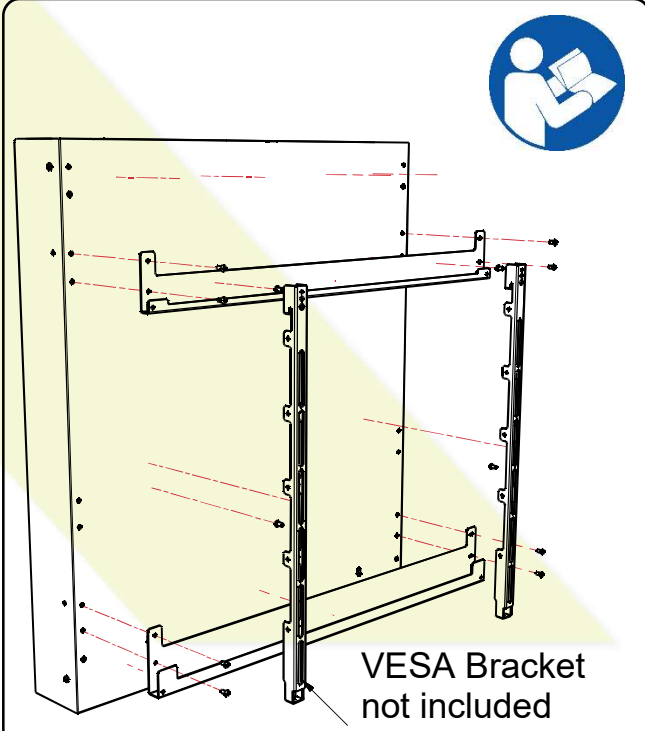
PH2

**8** Mount application cover



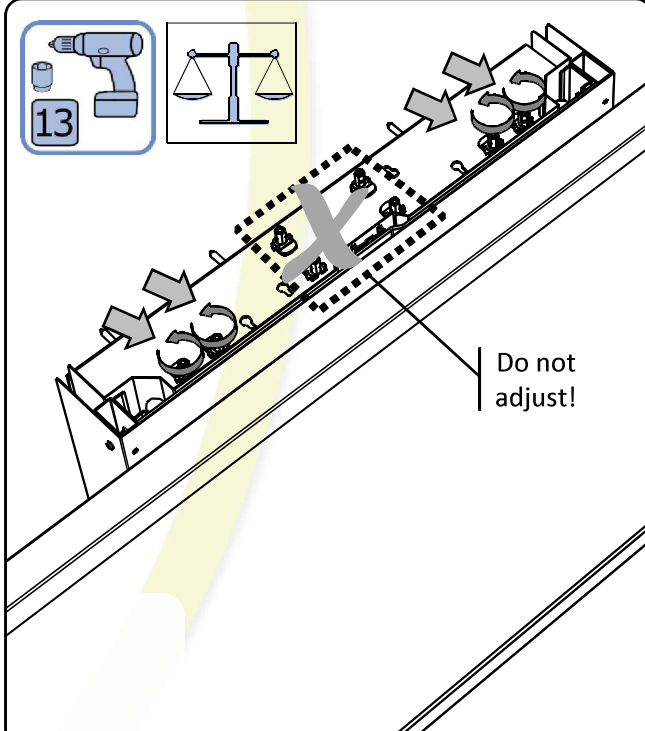
PH2

**9** Mount the screen or touchpanel, use BalanceBox®400® accessories



VESA Bracket not included

**10** Set the balance, use a drill-driver with a 13 mm socket on outer springs marked green. Drive counter-clockwise 5 sec. each, repeat until balanced



13

Do not adjust!