



Whiteboard Lock for Winx[®] 4b

The Whiteboard Lock for Winx[®] 4b is an accessory for your Winx[®] 4b Touchscreen Whiteboard Frame. The Whiteboard Lock gives you the possibility to lock the closed whiteboards and protect your interactive touchscreen panel against unwanted use. All Whiteboard Locks use the same key, for easy and comfortable use throughout the entire building (when bought in higher numbers).

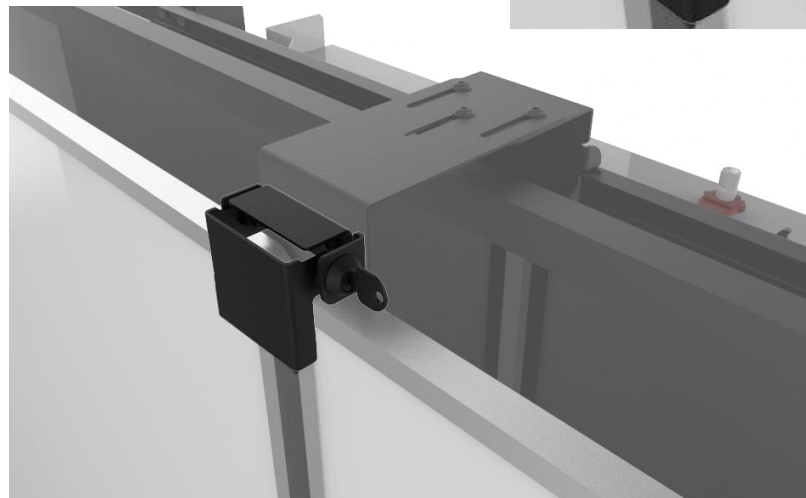
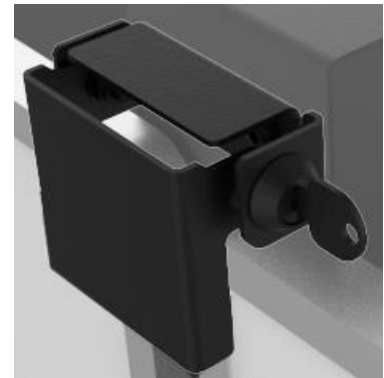
Warning: This lock is **NOT** an anti-theft solution.

Included in the package:

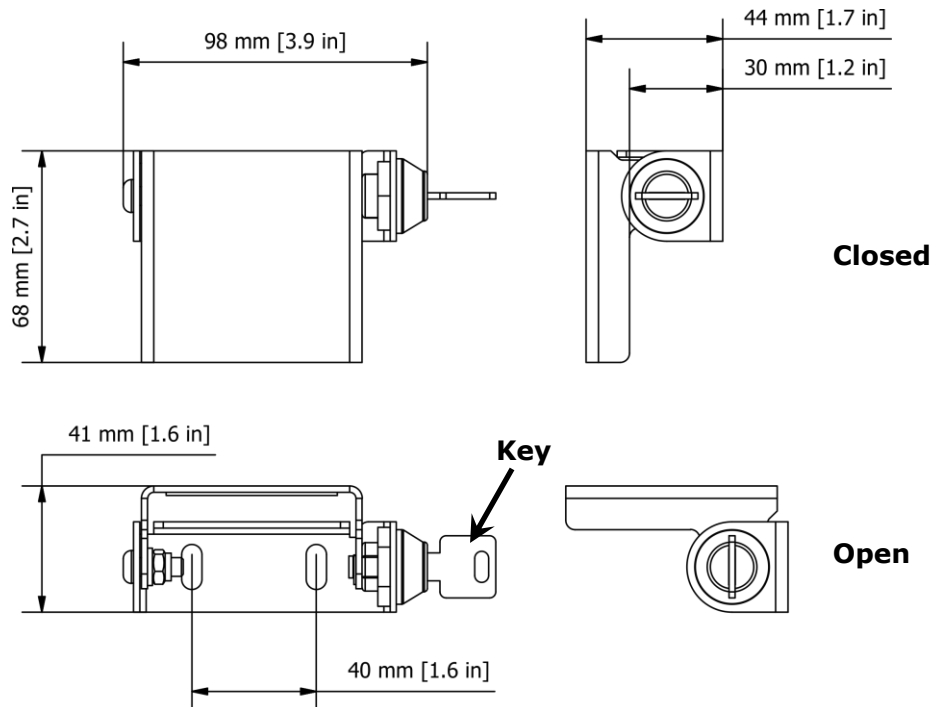
- Whiteboard Lock for Winx[®] 4b
- Mounting Materials
- Two (2) keys
- Installation Manual

Excluded in the package:

- Winx[®] 4b Touchscreen Whiteboard Frame



Dimensions:



Article Number	Product Description
481A80	Whiteboard Lock for Winx [®] 4b
481A82 481A83	Winx [®] 4b Touchscreen Whiteboard Frame for BalanceBox [®] 650 (EXCLUDED)



	Product Specifications		Shipping Dimensions	
Height	68 mm	2.7 inch	138 mm	5.4 inch
Width	98 mm	3.9 inch	80 mm	3.1 inch
Depth	44 mm	1.7 inch	50 mm	2 inch
Weight	~ 0,2 kg	~ 0,4 lbs	~ 0,3 kg	~ 0.7 lbs

	Shipping Dimensions Bulk Box (50 pieces)		Shipping Dimensions Euro Pallet (600 pieces) *	
Height	411 mm	16.2 inch	414 mm	16.3 inch
Width	261 mm	10.3 inch	1194 mm	47 inch
Depth	297 mm	11.7 inch	789 mm	31 inch
Weight	~ 15 kg	~ 35 lbs	~ 180 kg	~ 420 lbs

* Dimensions excluding Euro Pallet (1200 mm x 800 mm | 47" x 31") | 600 pieces = 12 x Bulk Box

	Material	Color
Whiteboard Lock (Frame)	Sheet Metal	Powder coated, Black RAL 9005, Fine Texture
Lock	Steel	Black RAL 9005
Key	Steel	Galvanized



Winx[®] 4b Touchscreen Whiteboard Frame, with Whiteboard Lock, in open and closed position.