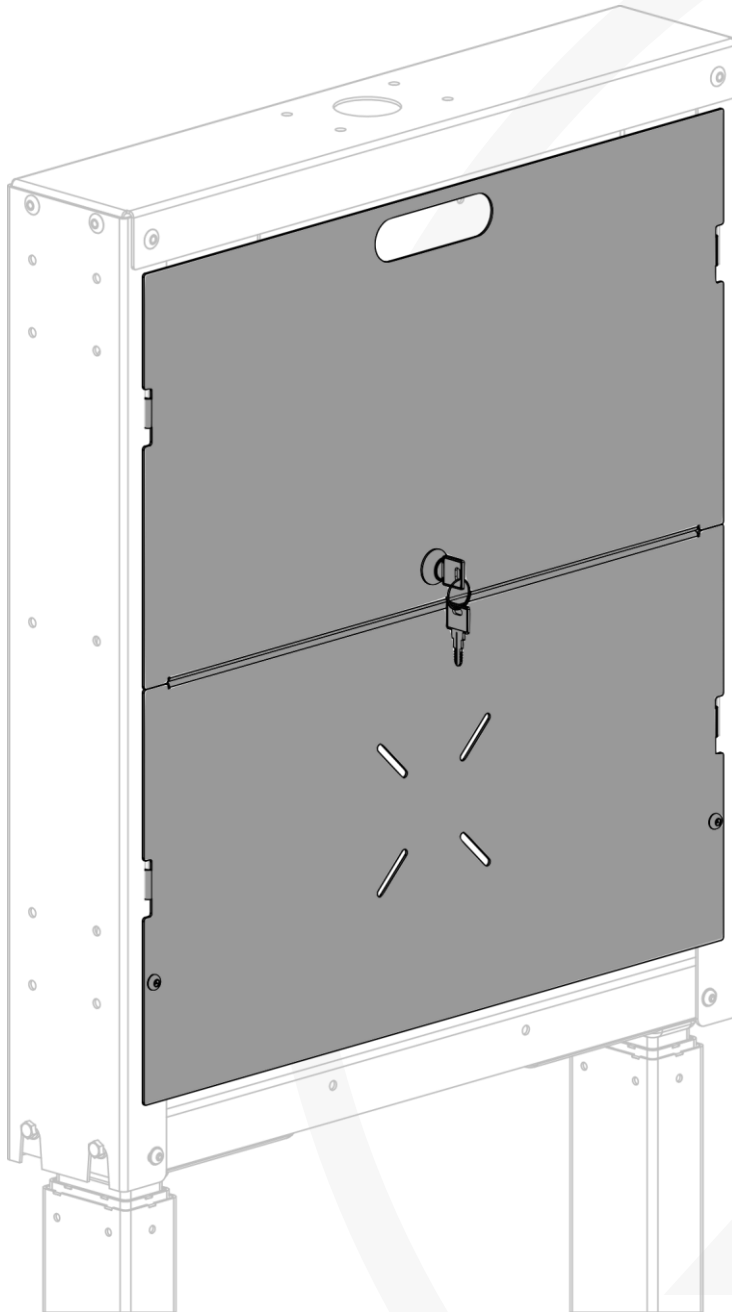




item number: 481A92



© COPYRIGHT – document number: 902962-00 – note: product specifications may change without prior notice.

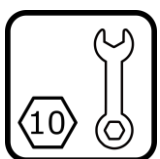
Rear Cover e-Box II

General Warnings



The lockable cover is intended for prevention of (un)intentional misuse, it is not an anti-theft device.

Tools



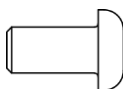
Mounting materials [E]

(1x) A



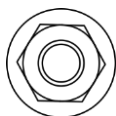
[1:1]

(2x) B



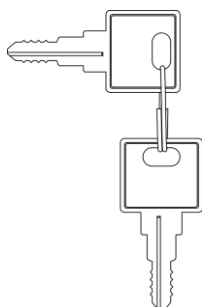
[1:1]

(2x) C

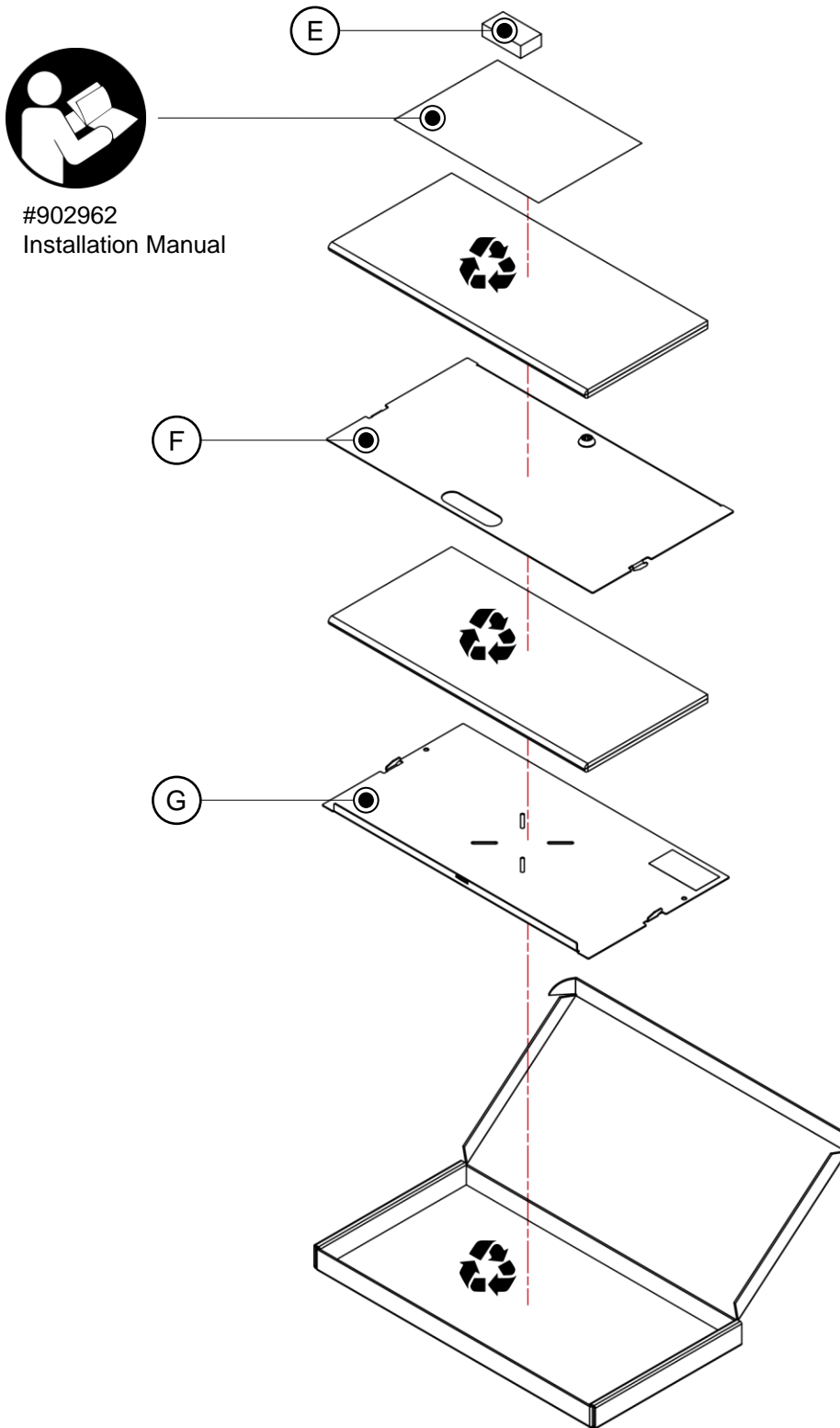


[1:1]

(1x) D

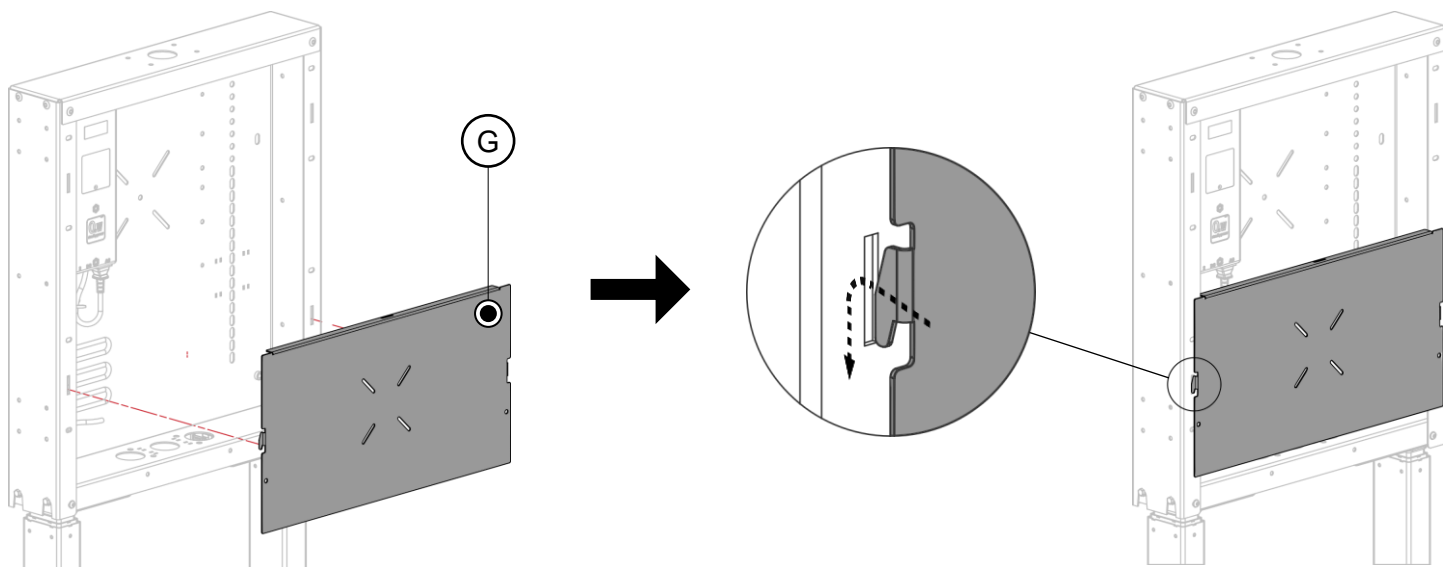


Content of the box

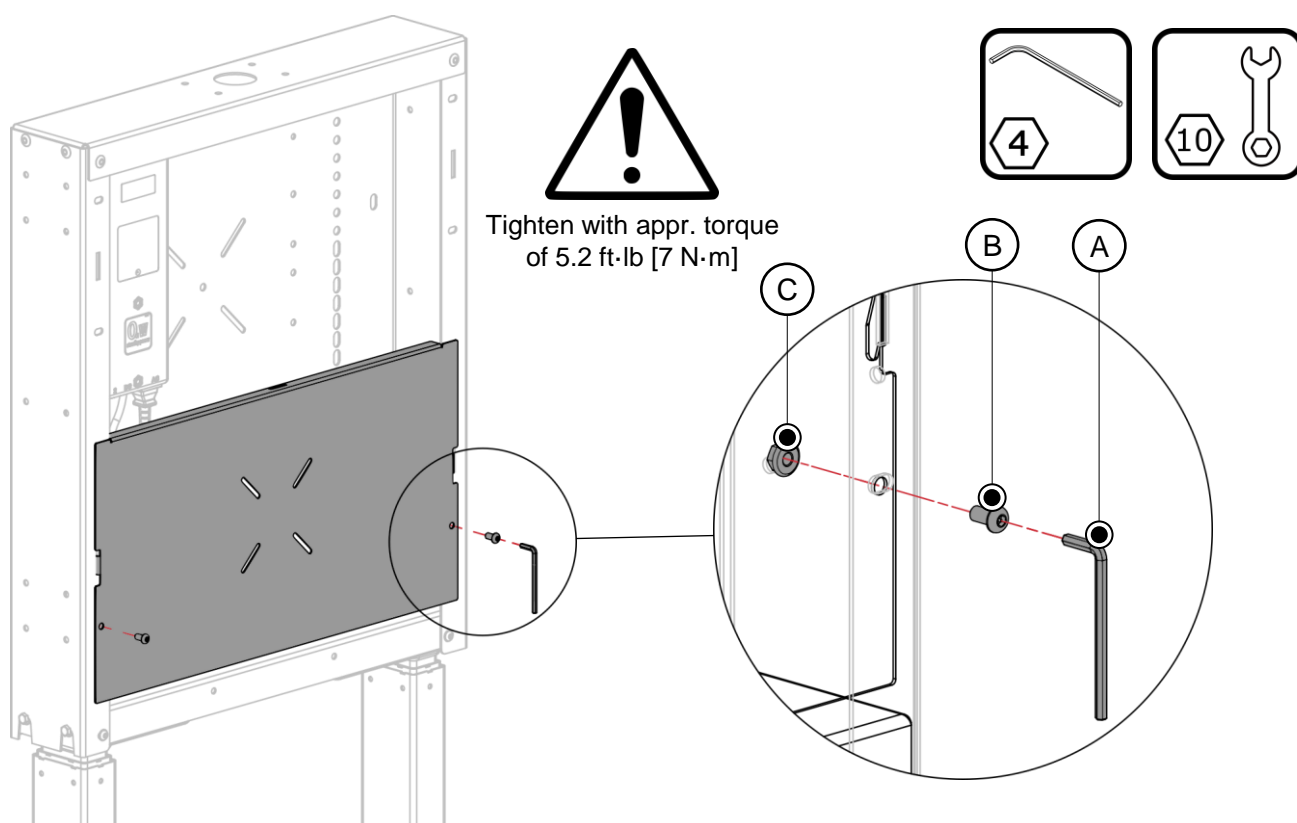


Rear Cover e-Box II

- 1 Take the bottom part of the rear cover [G] and align the two vertical hooks with the two lowest rectangular slots in the VESA box of the e-Box®. Push down to lock the bottom part of the rear cover inside the two rectangular slots.

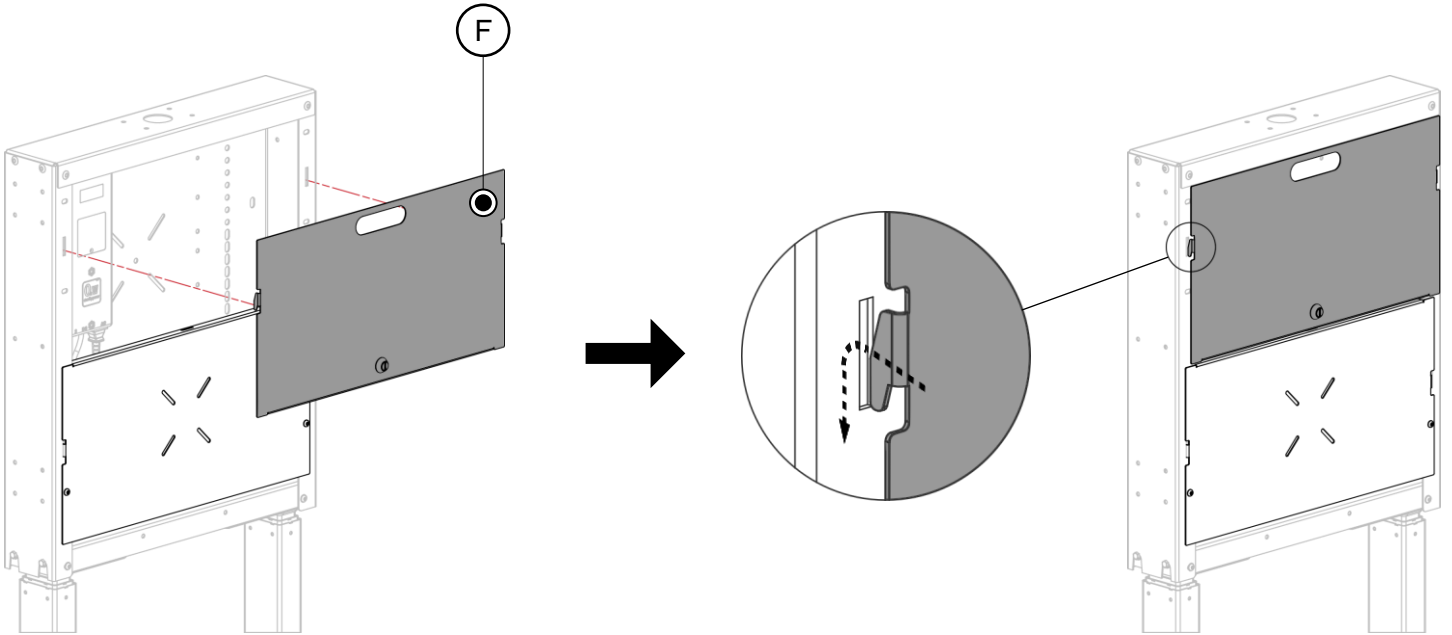


- 2 Take 2 x M6 nut [C] and 2 x M6 screw [B] to secure the bottom part of the rear cover to the VESA box. Use the included hex key to mount the fasteners in place.

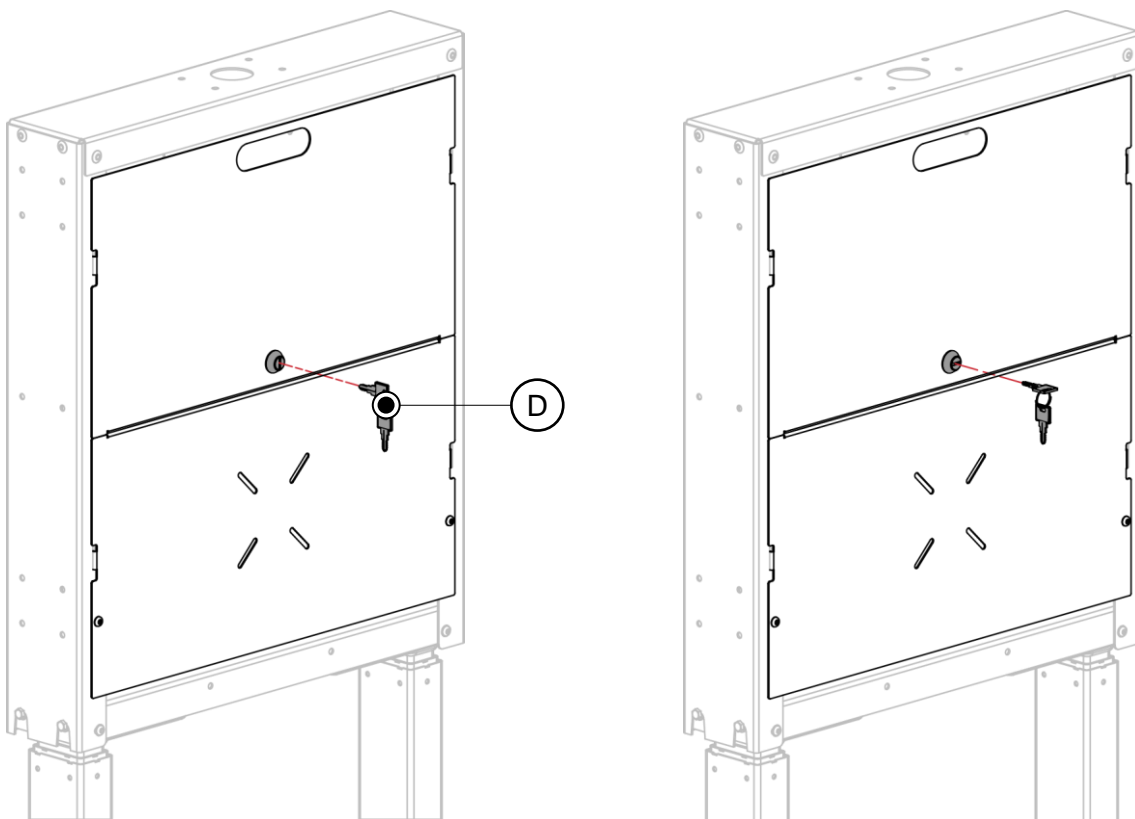


Rear Cover e-Box II

- 3** Take the top part of the rear cover [F] and align the two vertical hooks with the two highest rectangular slots in the VESA box of the e-Box®. Push down to lock the bottom part of the rear cover inside the two rectangular slots.



- 4** Insert one of the universal keys [D]. Lock the rear cover and remove the universal keys. Store the keys in a safe place.



Rear Cover e-Box II



e-Box®
Height Adjustable Motorized Mounts

© COPYRIGHT – document number: 902962-00 – note: product specifications may change without prior notice.