



Installation manual
Instruction d'installation

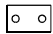
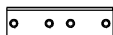


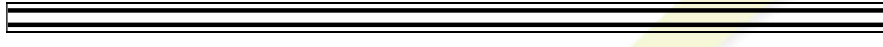
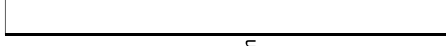





Part nr. 902075-03

Floorsupport

For the BalanceBox®650

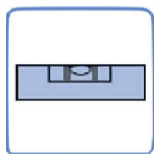
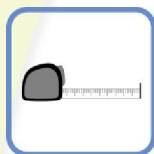
The contents of the box
Le contenu de la boîte

Safety Instructions
Instruction de sécurité

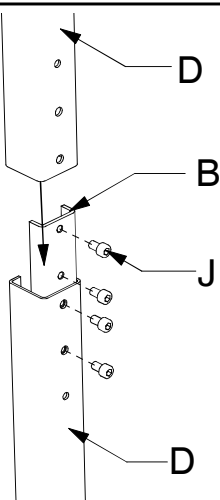
- A: 4x 
- B: 2x 
- C: 3x 
- D: 4x 
- E: 2x 
- F: 1x 
- G: 4x  H: 4x  I: 4x  J: 14x  K: 4x 



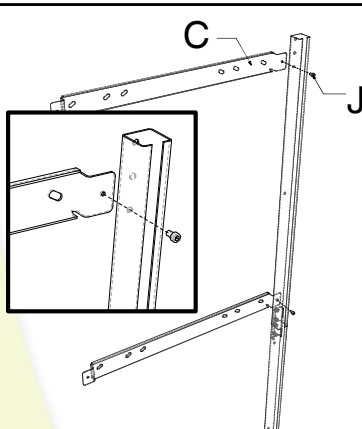
Tools needed
Outils nécessaires



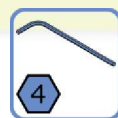
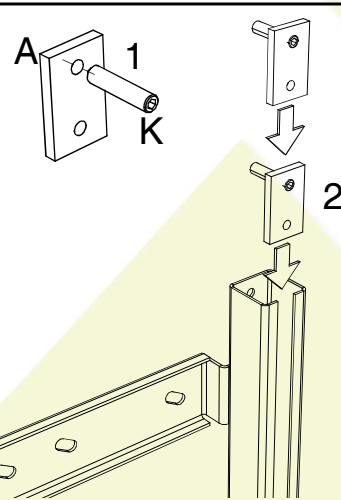
1 Assemble 2x (● 5 mm)



2 Assemble 6x (● 5 mm)

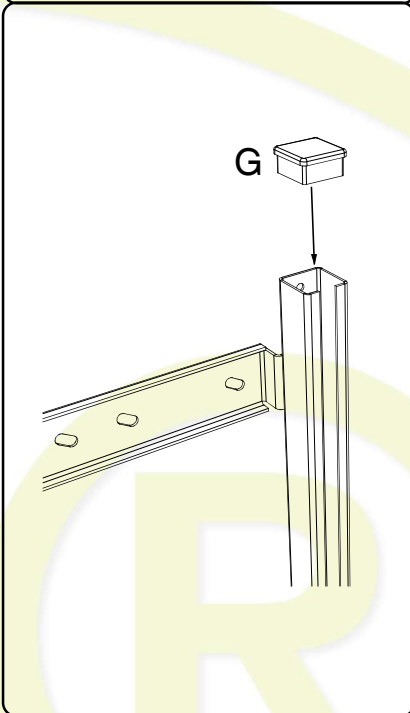


3 Assemble 4x (● 4 mm)



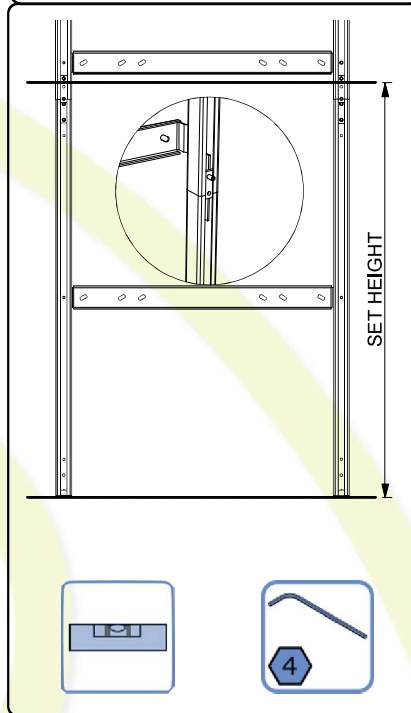
4

Insert top and bottom cap



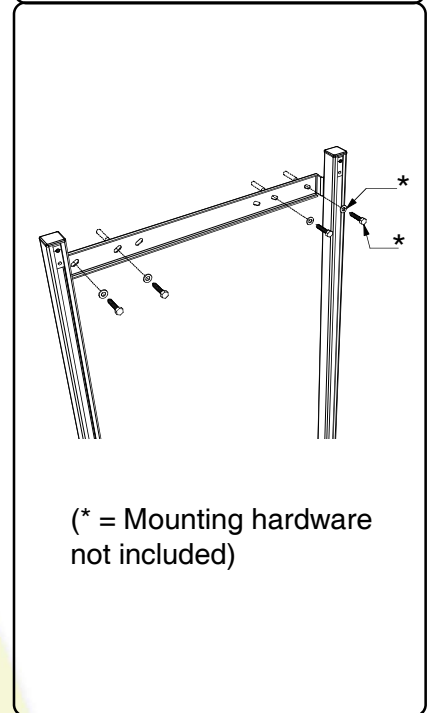
5

Set height from bottom (730-1055 mm / 28.75"-40.3") and level; fix (● 4 mm)



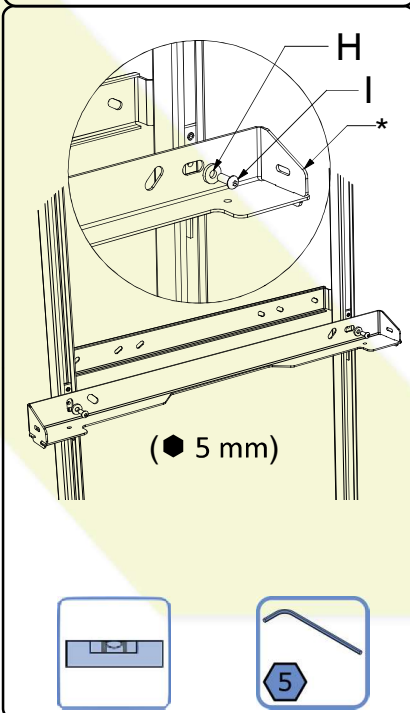
6

Mount all brackets level to the wall, choose fasteners suitable for type of wall



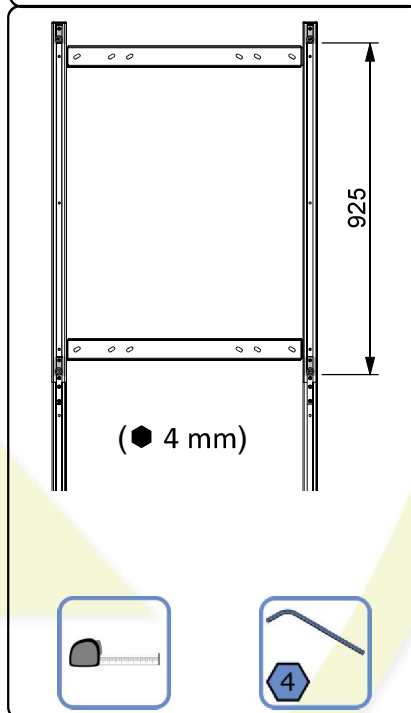
7

Mount BalanceBox®650 bottom bracket and level



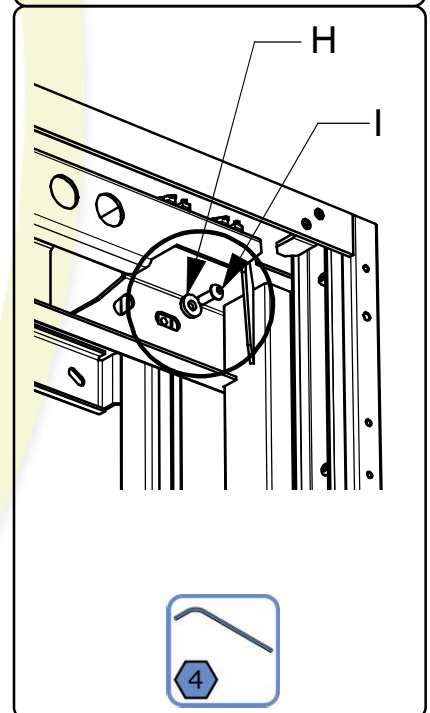
8

Set height at 925 mm / 36.4"



9

Mount BalanceBox®650 at the top



Floorsupport

For the BalanceBox®650

10

Finish mounting
BalanceBox®650 and
application

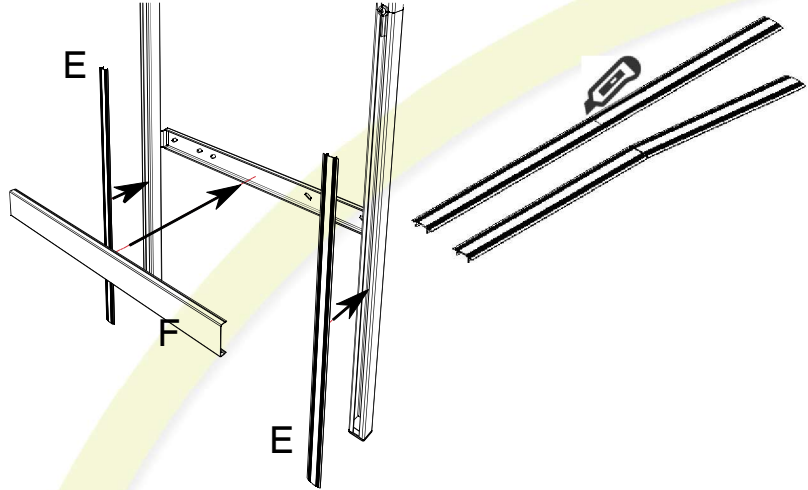


Please refer to
BalanceBox® 650
user manual!

11

Snap cover strips E (2x)
Into leg D, mount cover F

Cut cover strips E to length if
needed, cut and snap off



12

Additional information when mounting on studded walls

