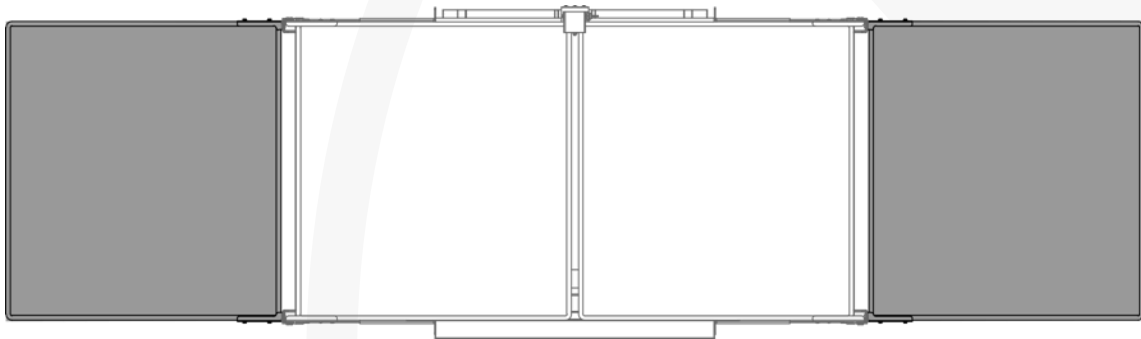




item number: 481A93



Winx-4b

Fixed whiteboard expansion set

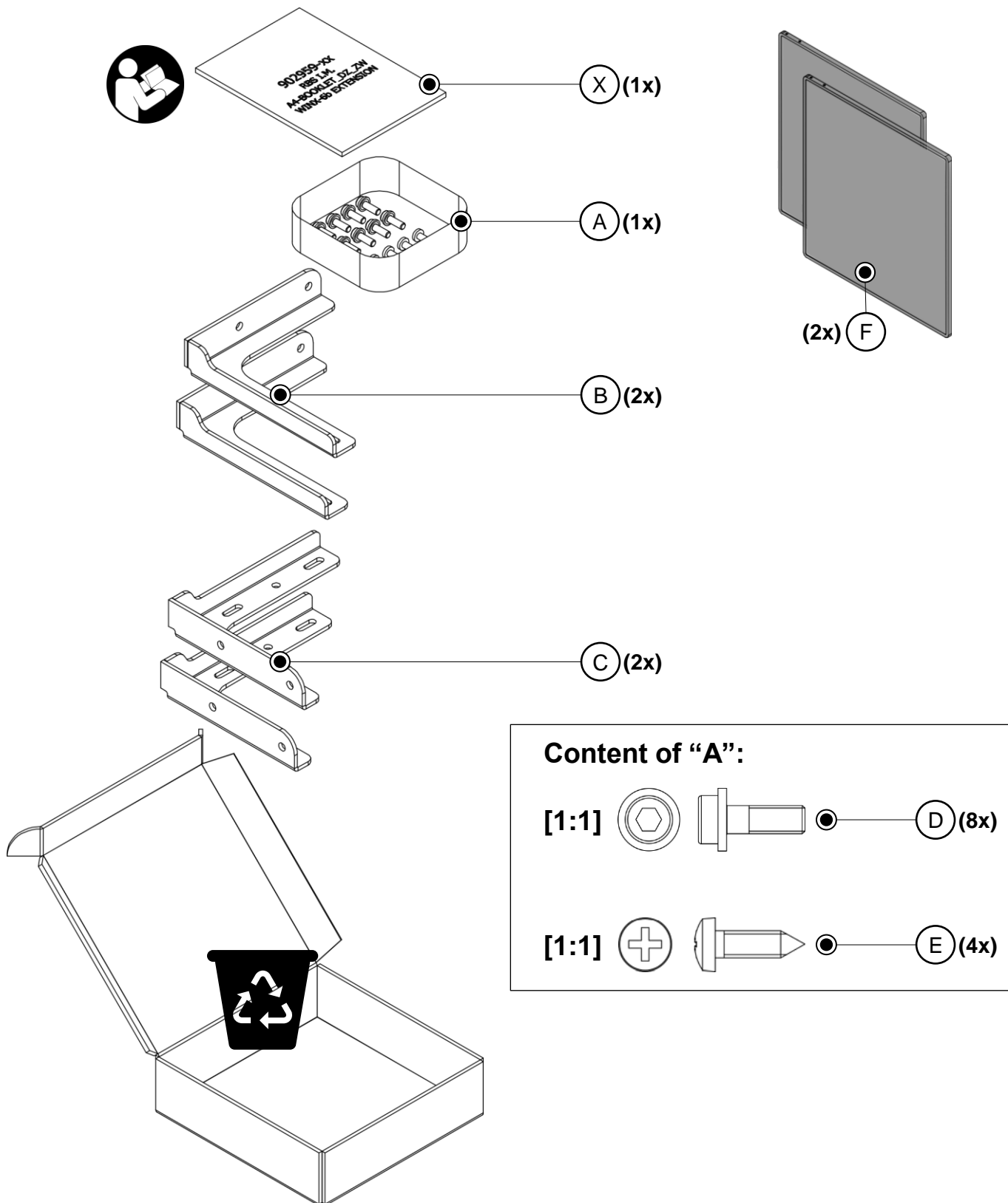
General Warnings



Tools



Content of the box

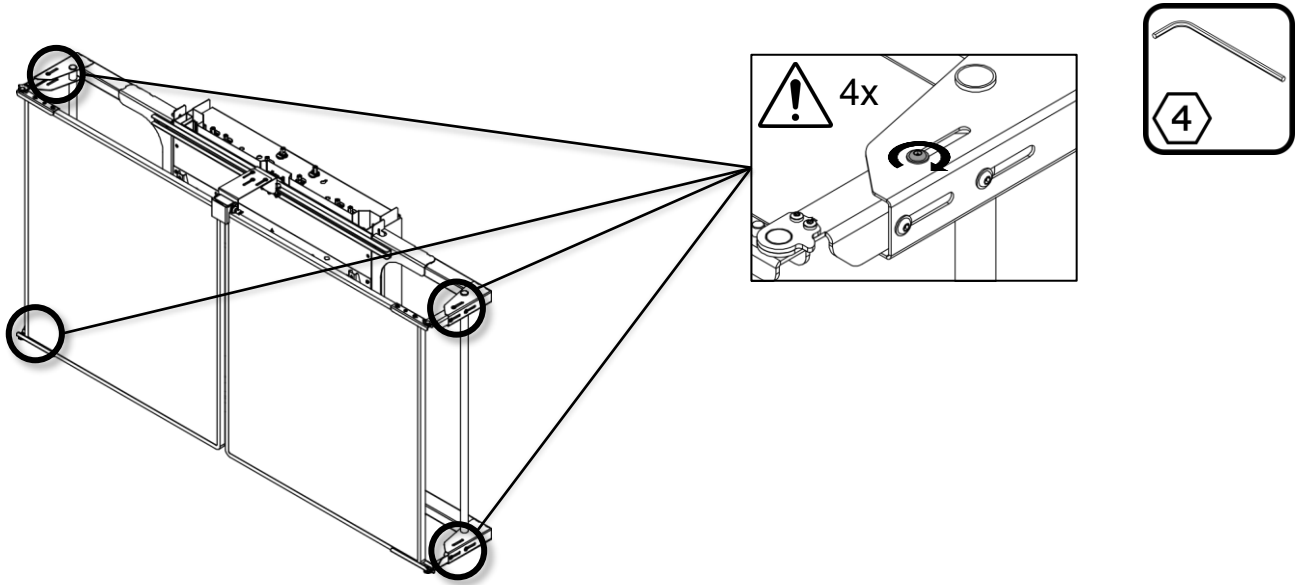


Winx-4b

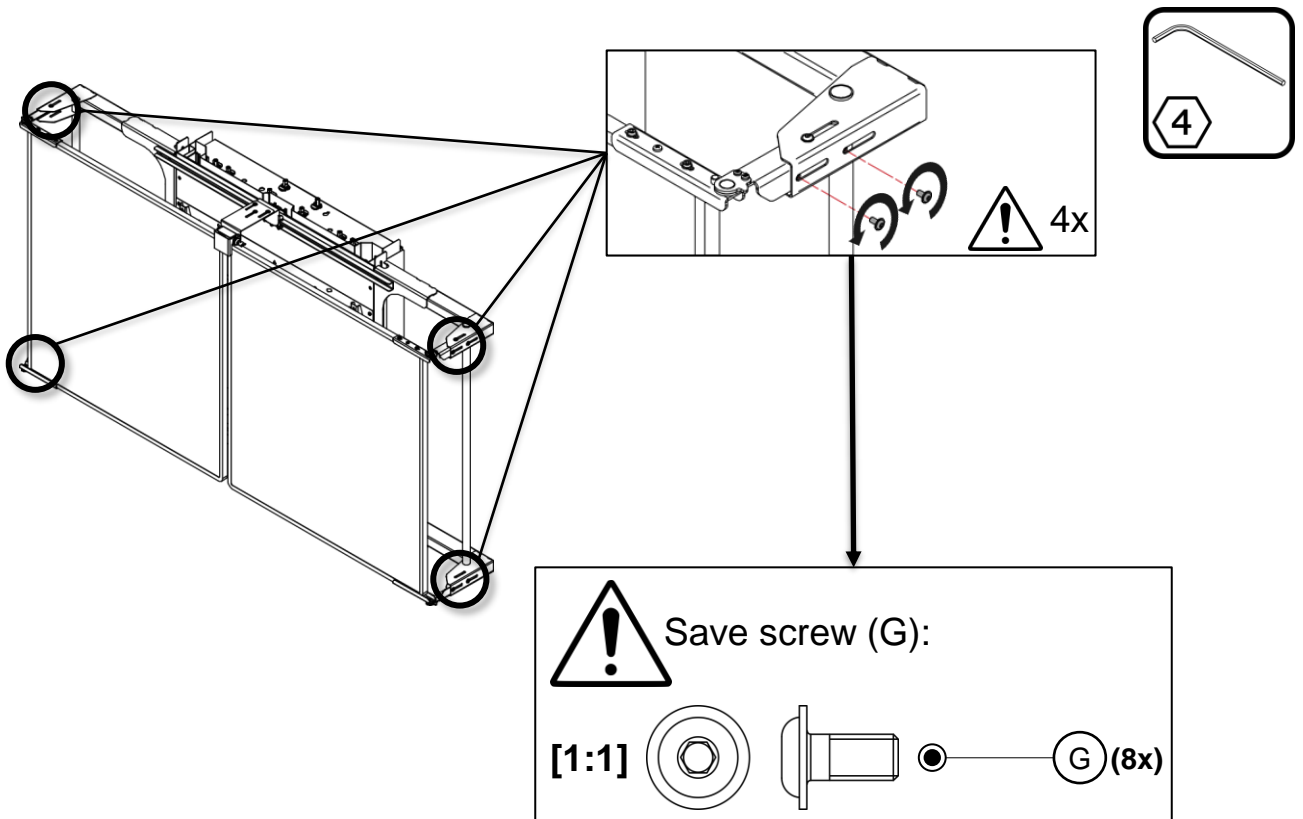
Fixed whiteboard expansion set

1 Install Winx-4b

2 Close the whiteboards as shown. Make sure top and bottom screws are tightened (4x)

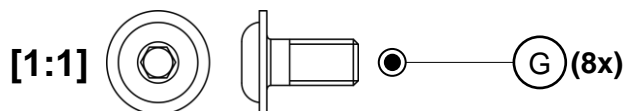
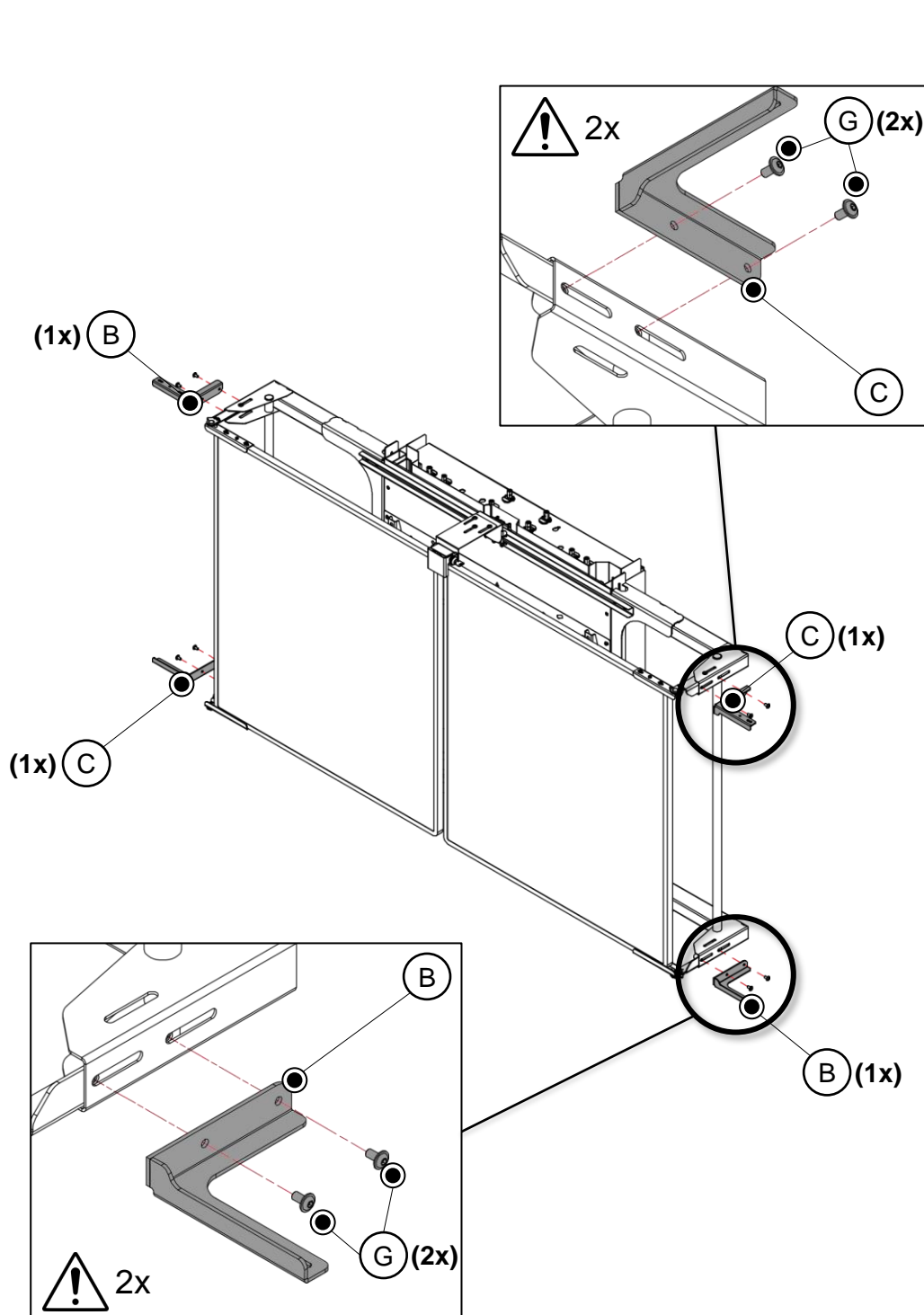


3 Remove the screws at the side of all hinges, save the screws (G) (8x)



Winx-4b Fixed whiteboard expansion set

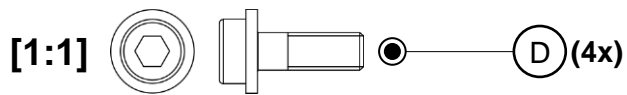
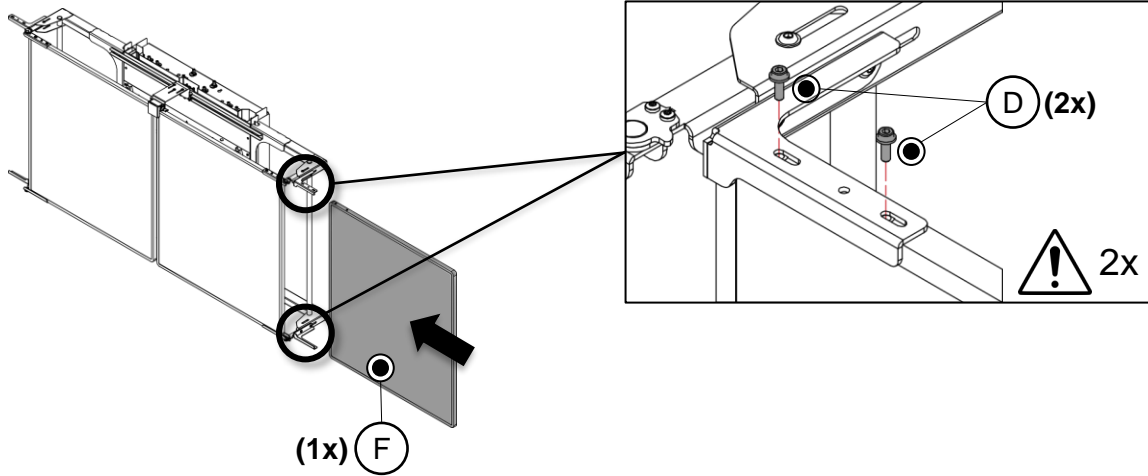
4 Mount 2x bracket (B) & 2x bracket (C) to the Winx-4b frame, use 8x screw (G)



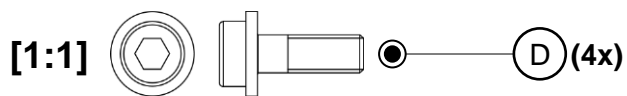
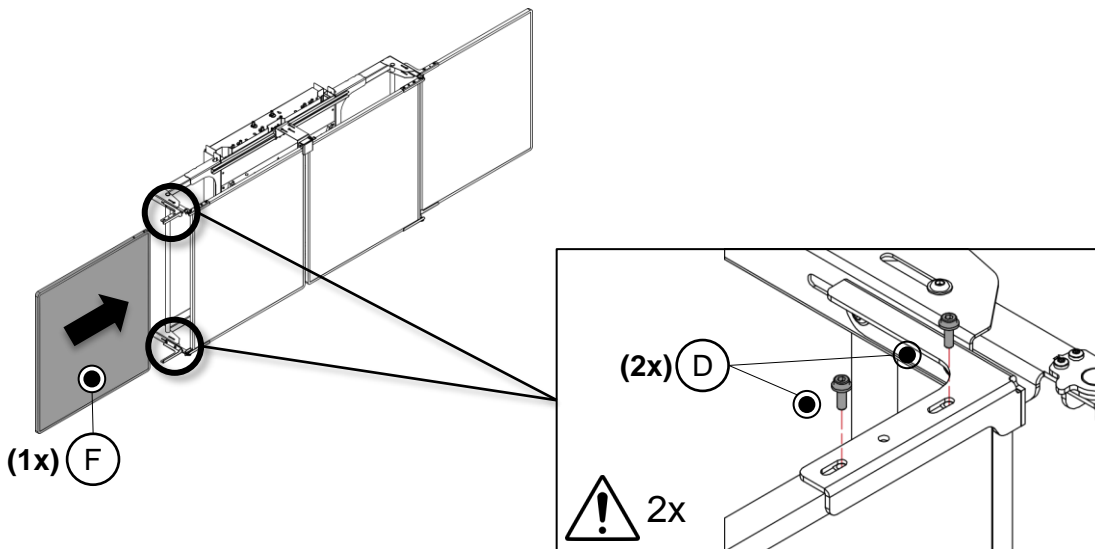
Winx-4b

Fixed whiteboard expansion set

- 5** Place whiteboard (F) between bracket (B) and (C)
Use screw (D) to mount the whiteboard to bracket (B) and (C)

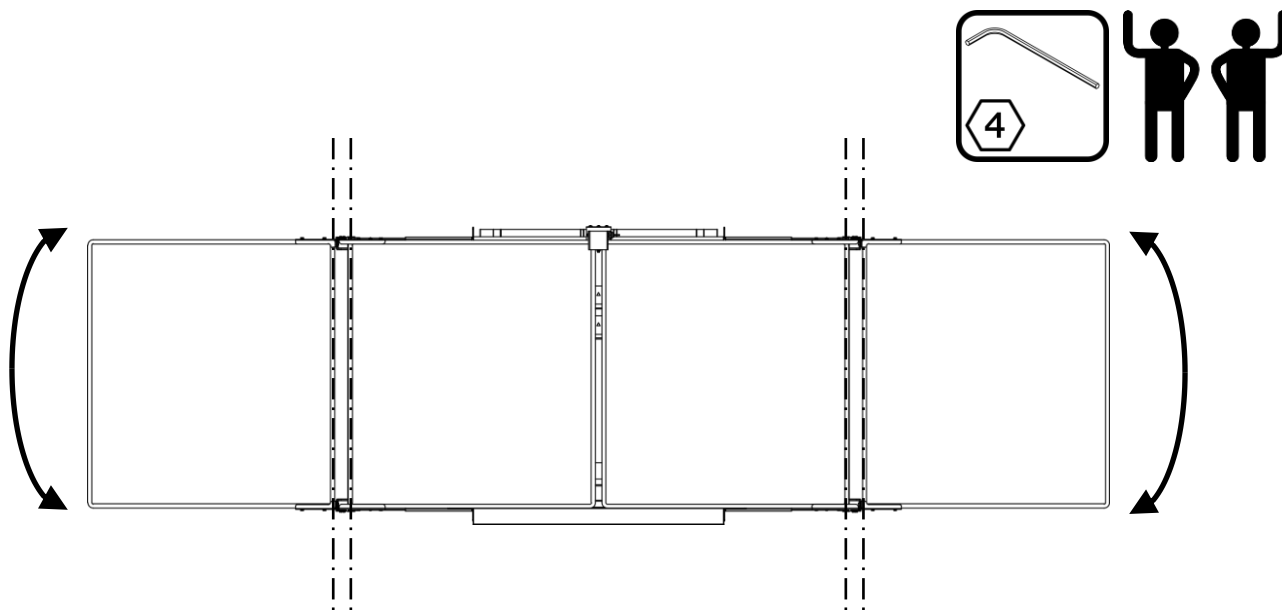


- 6** Place whiteboard (F) between bracket (B) and (C)
Use screw (D) to mount the whiteboard to bracket (B) and (C)

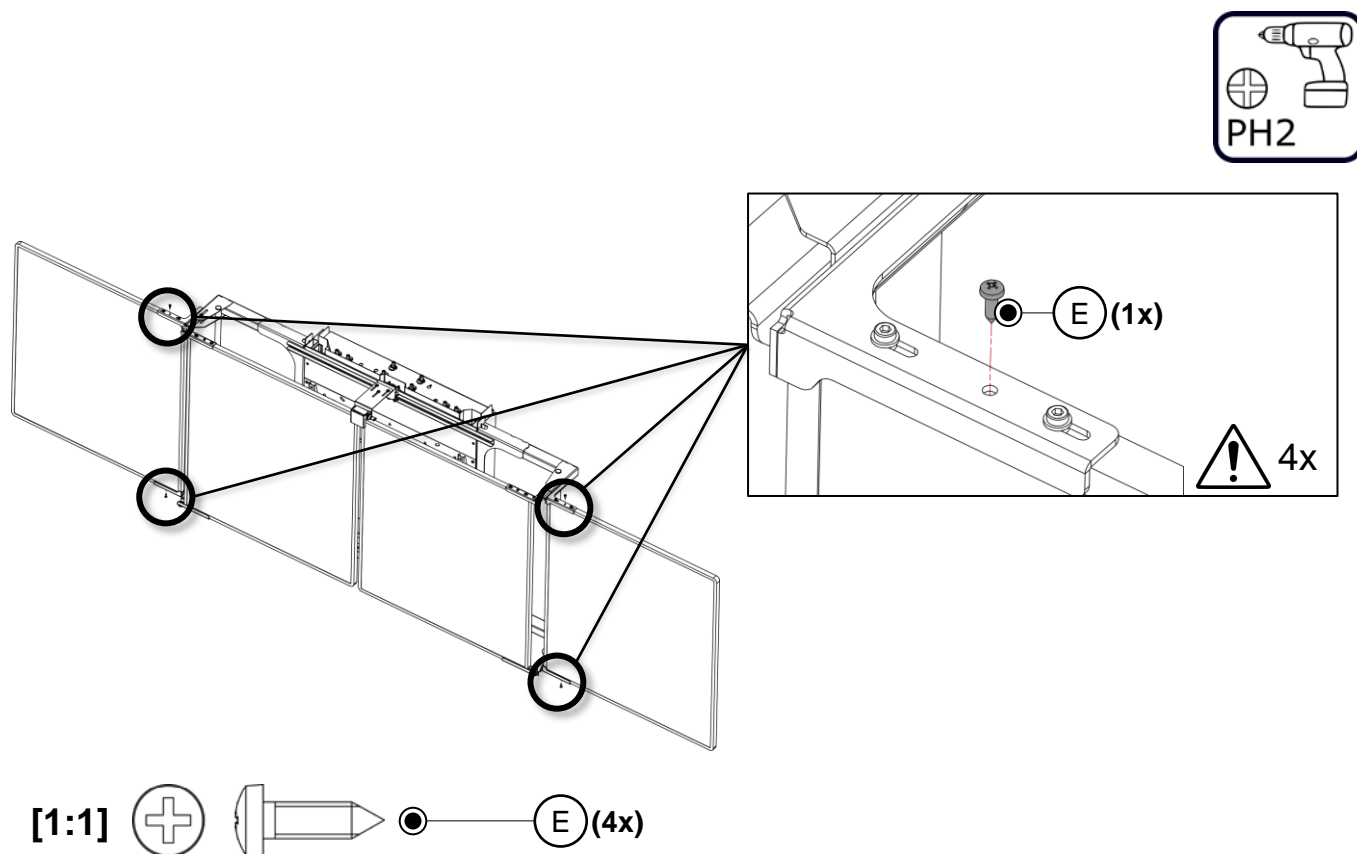


Winx-4b Fixed whiteboard expansion set

- 7 Make sure the whiteboards are mounted parallel to each other
Adjust if necessary



- 8 Lock the position of each whiteboard by using 4x screw (F), use a power drill





© COPYRIGHT – document number: 902959-00 – note: product specifications may change without prior notice.