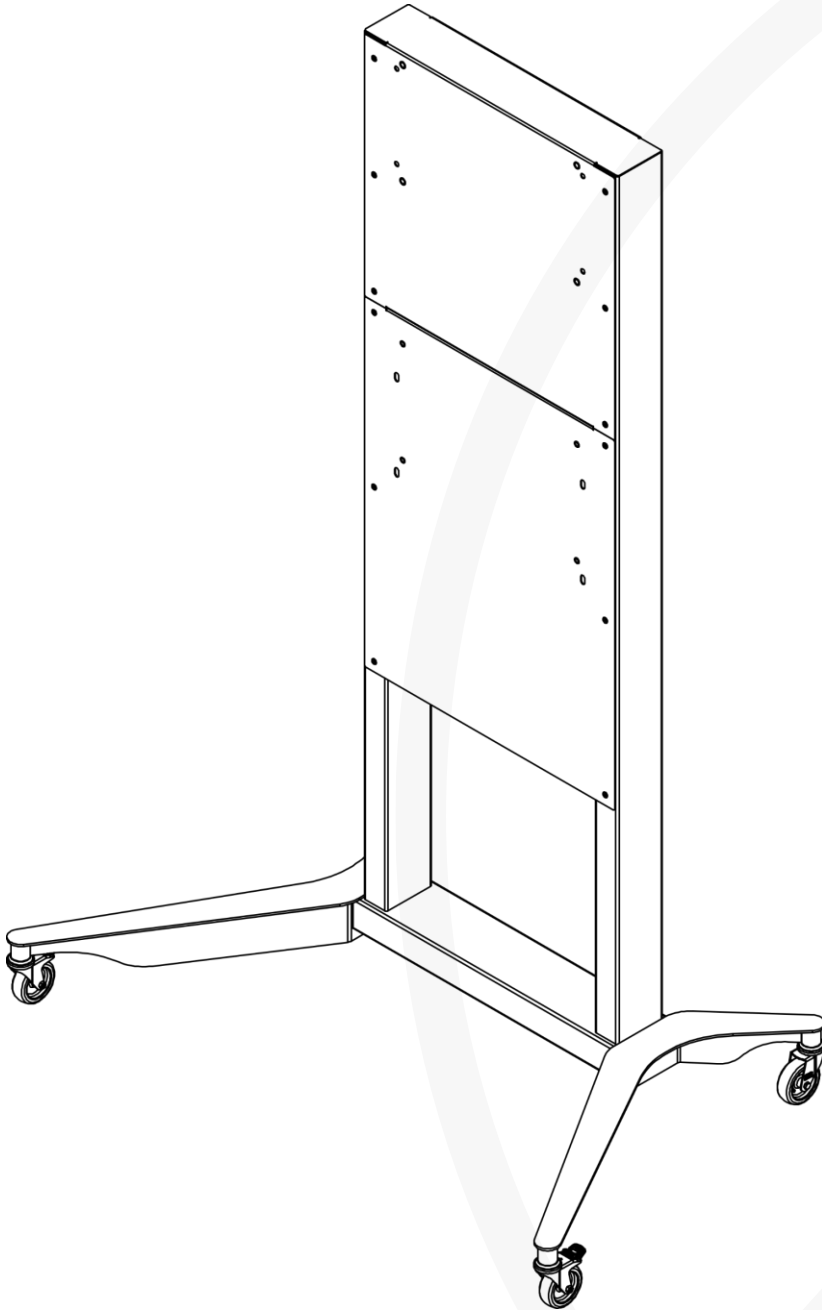




item number: 481A71001

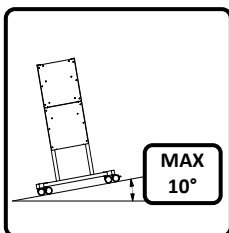


© COPYRIGHT – document number: 902918-07 – note: product specifications may change without prior notice.

General Warnings



**Important
warnings
before use**



**WARNING
MAXIMUM SLOPE
10 DEGREES**



**WARNING
DO NOT PULL-DOWN
SLOPE**




**STAY ABOVE CART
WHEN MOVING
DOWN SLOPE**

Tools

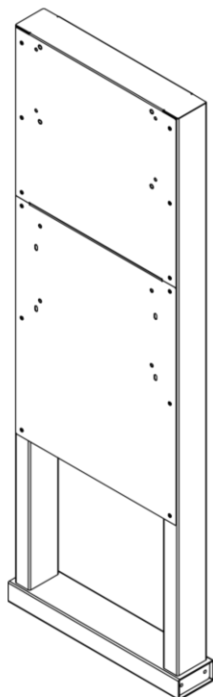


Content of the box

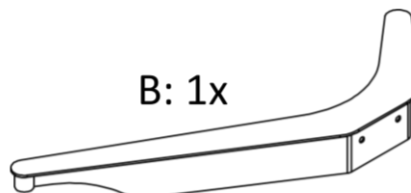
Safety Instructions



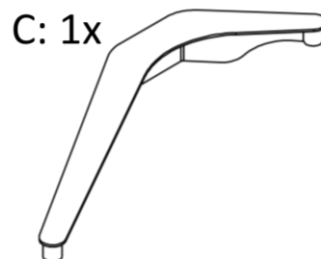

A: 1x



B: 1x




C: 1x


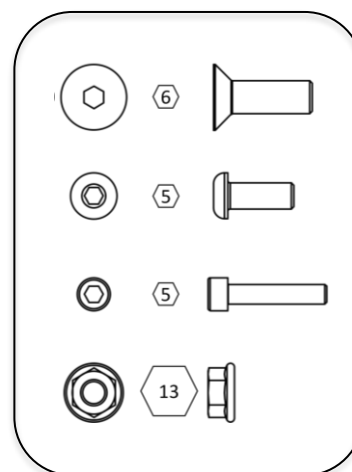


Ø75 mm / Ø3"
Casters

D: 2x

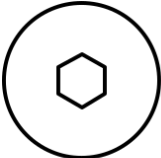
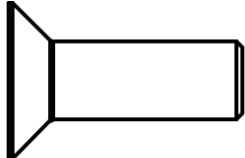



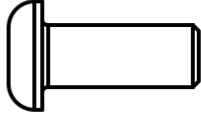



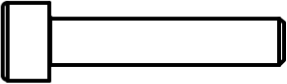








E: 2x

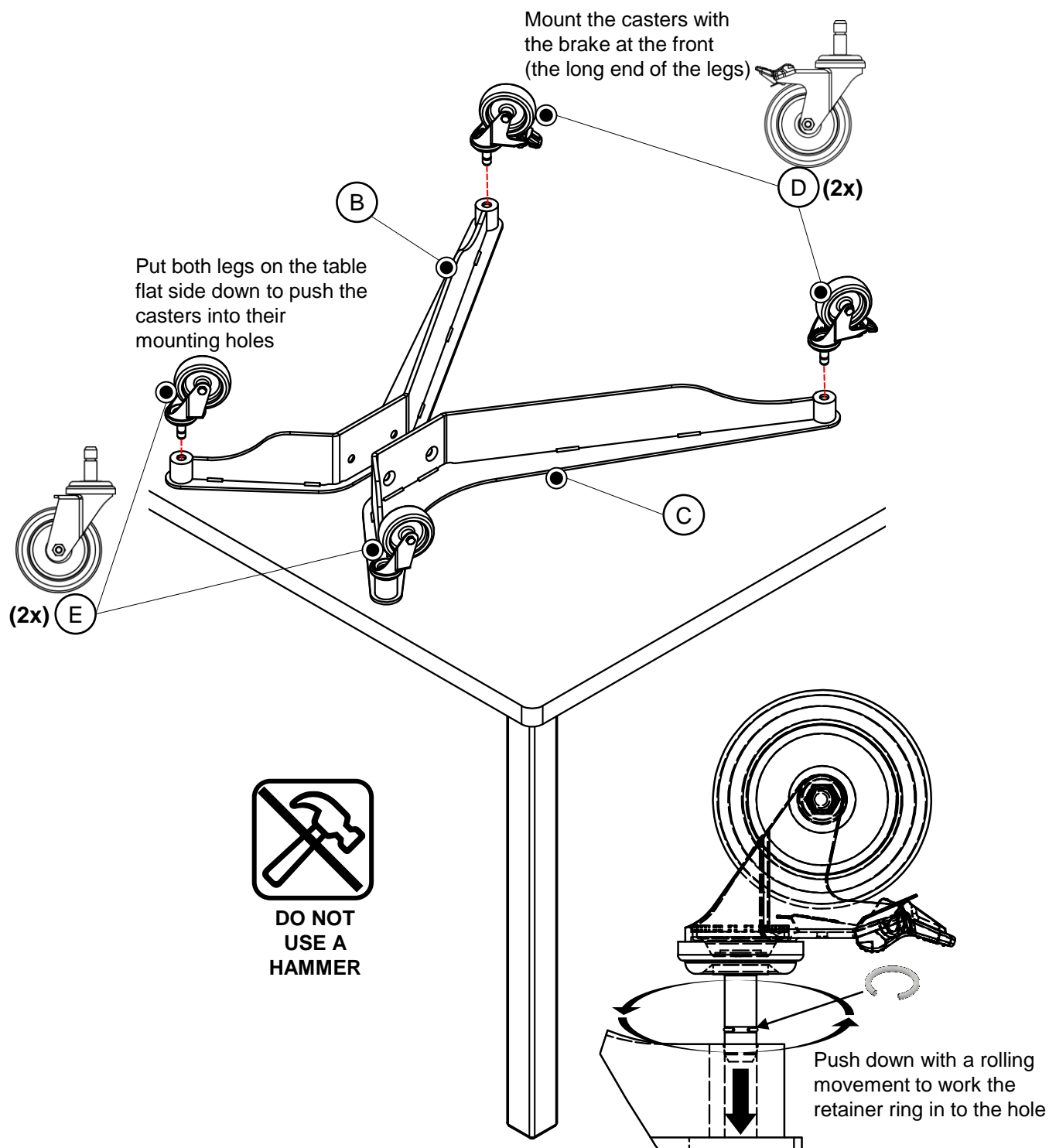
Bag with screws

Content of Bag with Screws

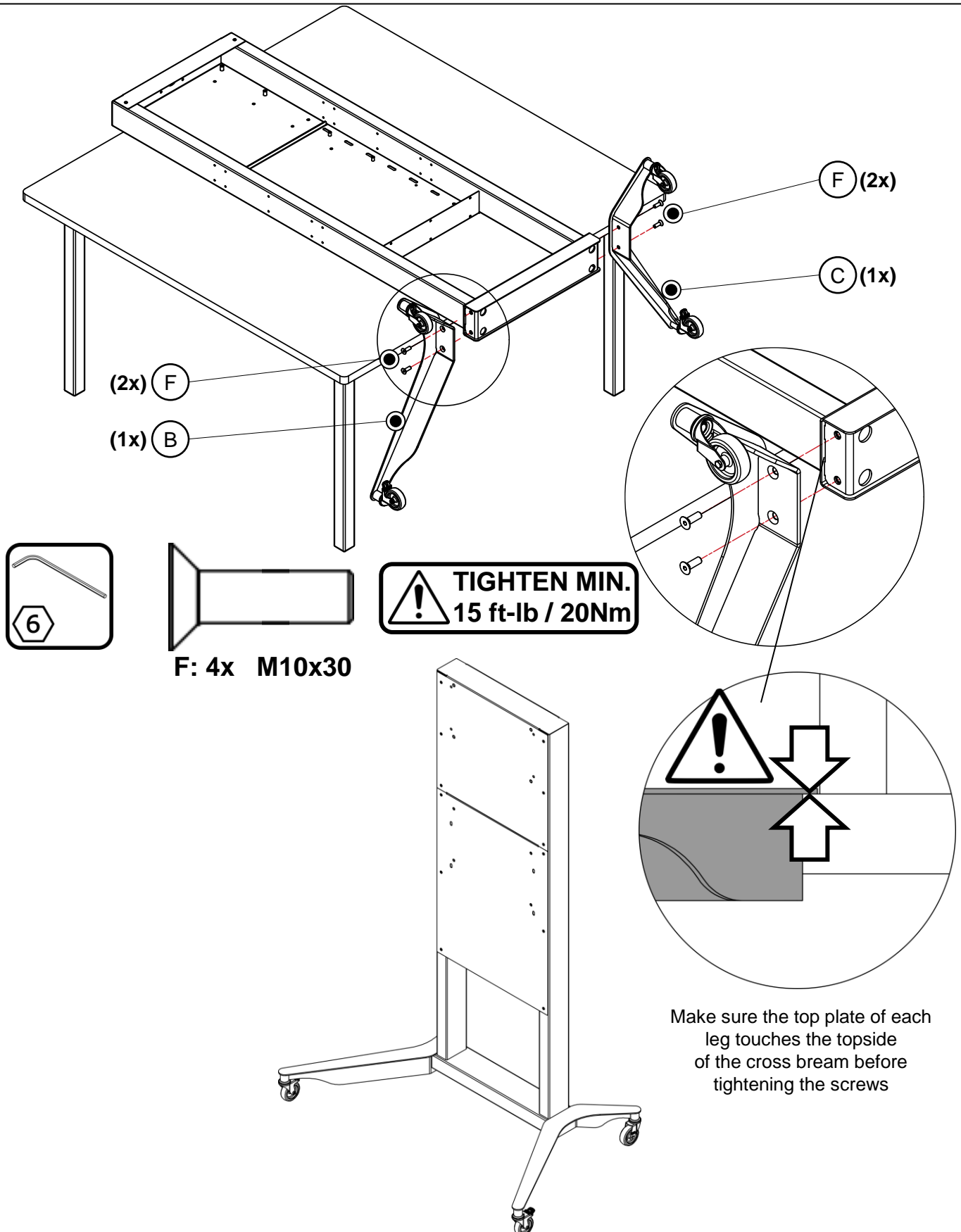
	1:1		Key-size:	Needed tool:
F: 4x M10x30				
G: 4x M8x20				 *
H: 2x M6x30				 *
K: 4x M8				 *

Mobile Stand Mix[®]

1 Mount the casters

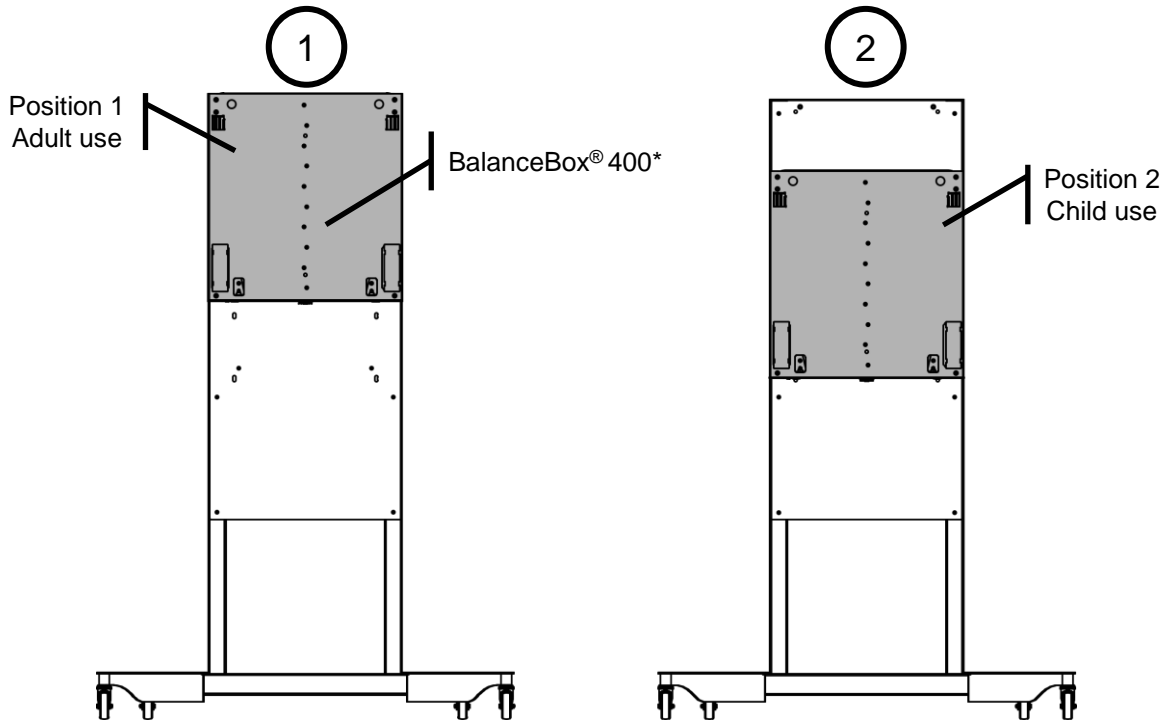


2 Assemble the wheelbase and column

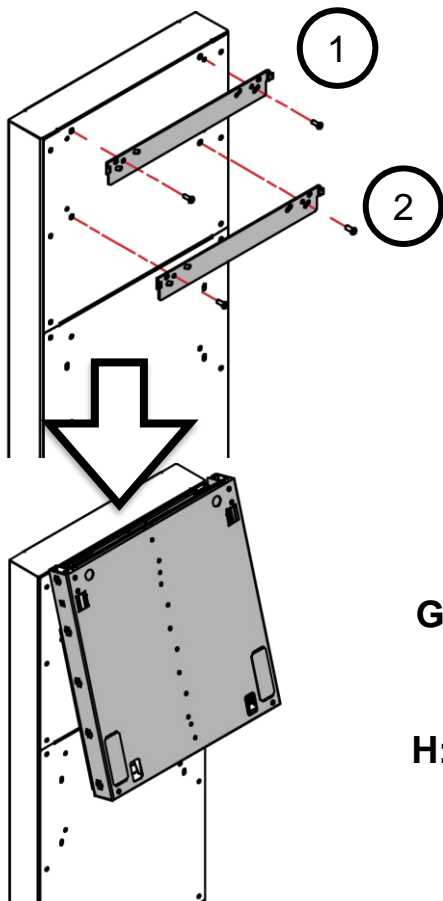


3 Mounting BalanceBox®400* on the Mobile stand

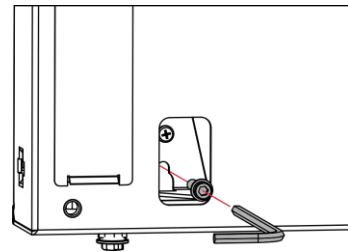
(*not included)



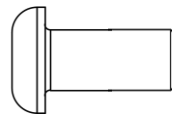
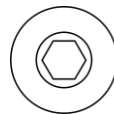
4 Mount the BalanceBox®400* at the desired position



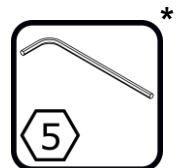
Please follow the mounting instructions of the BalanceBox®400



G: 2x M8x20



H: 2x M6x30

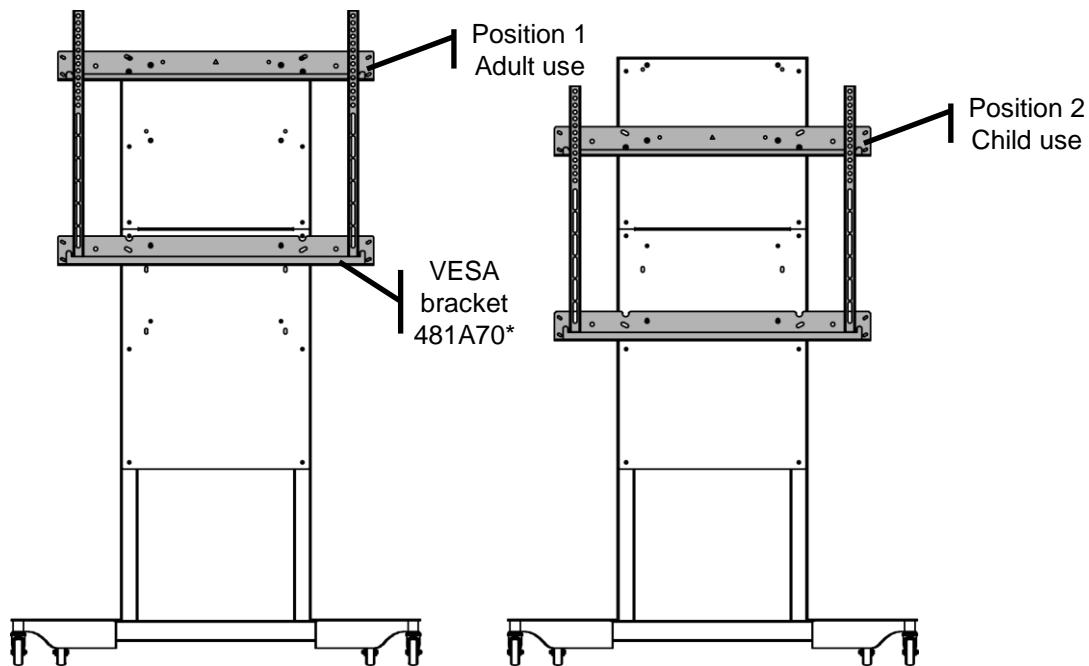


* Not included

Mobile Stand Mix®

5 Mounting VESA bracket 481A70* on the Mobile Stand

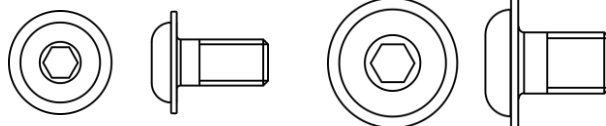
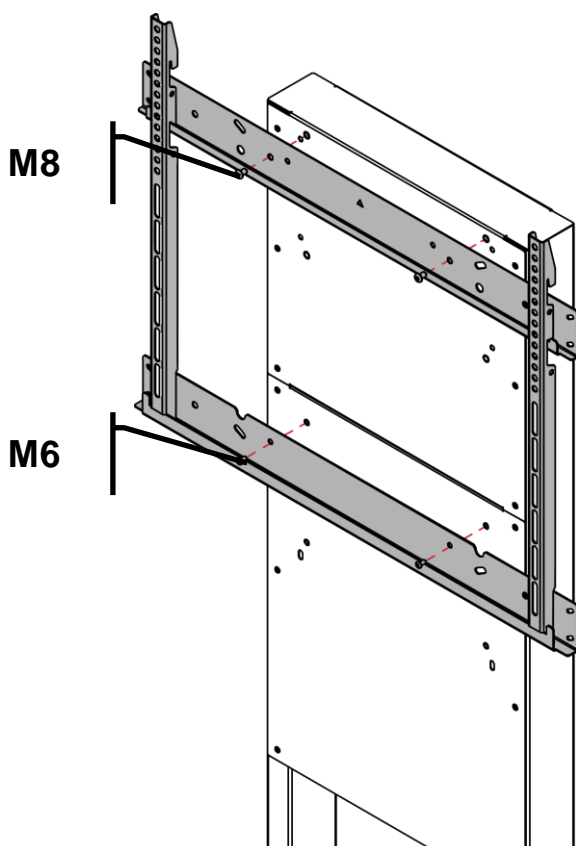
(*not included)



6 Mount the VESA bracket 481A70

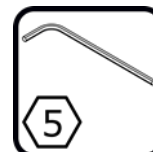


Please follow the mounting instructions of 481A70



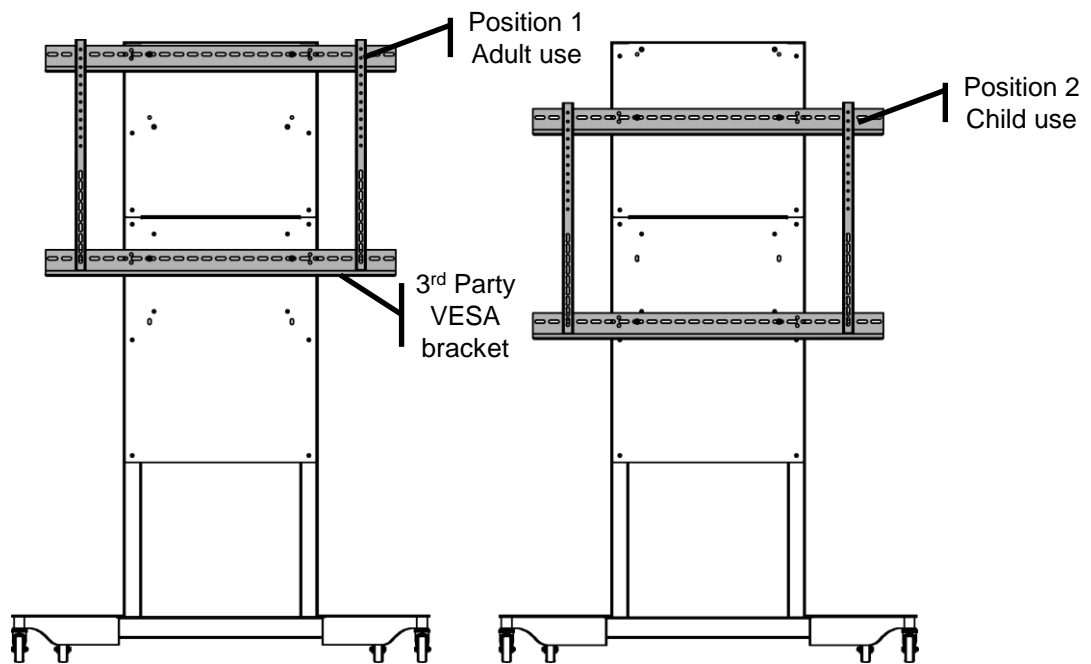
1:1
2x M6x12

1:1
2x M8x12

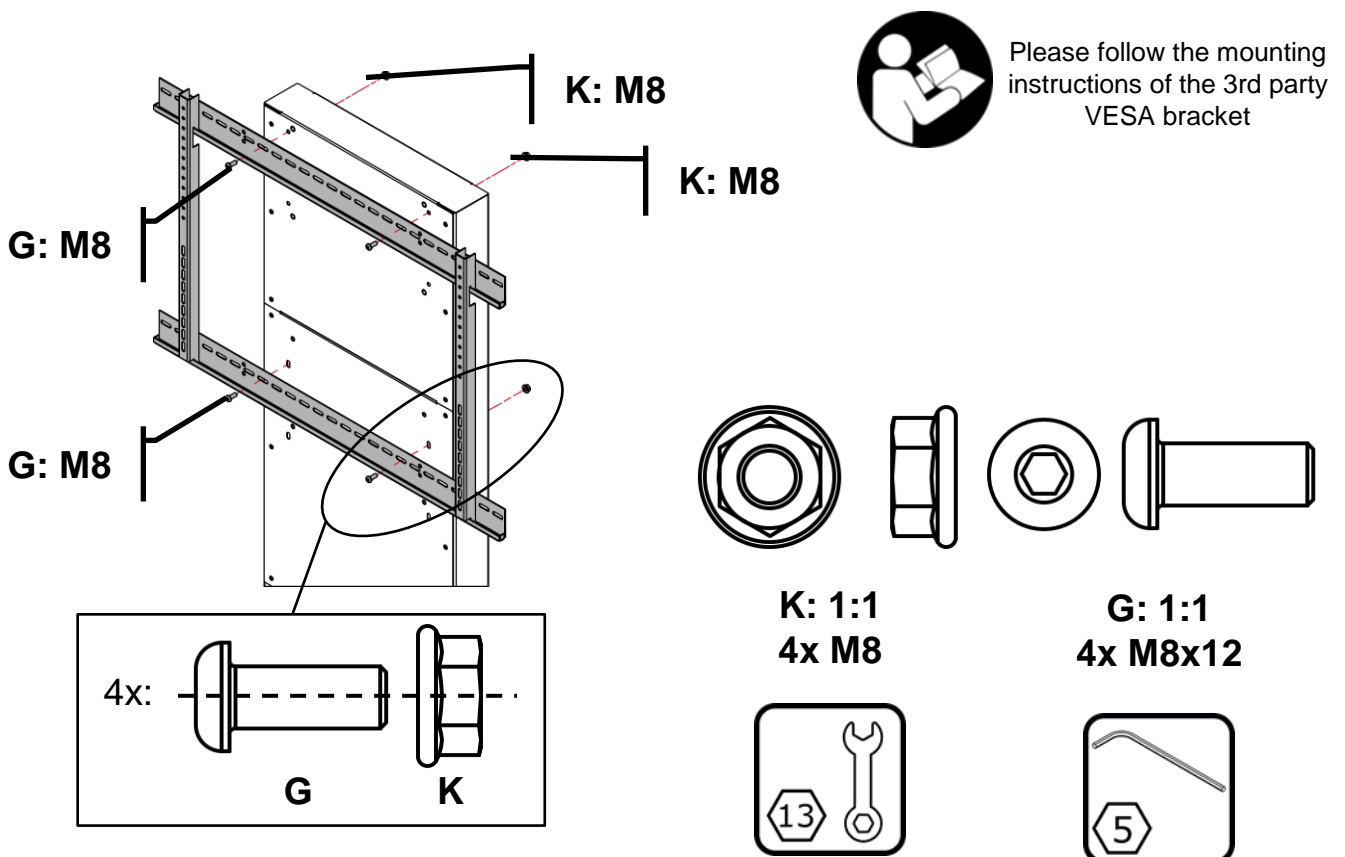


7 Mounting 3rd party VESA bracket on the Mobile Stand

(*not included)



8 Mount the 3rd party VESA bracket





© COPYRIGHT – document number: 902918-07 – note: product specifications may change without prior notice.