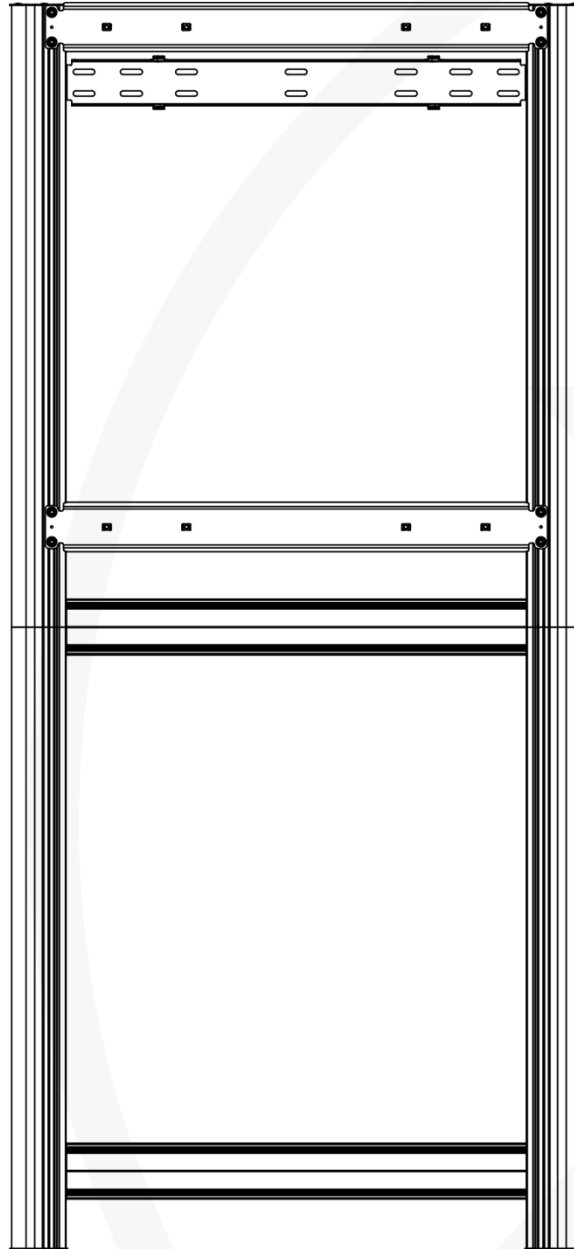




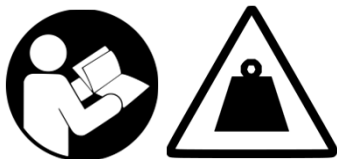
item number: 481A14001



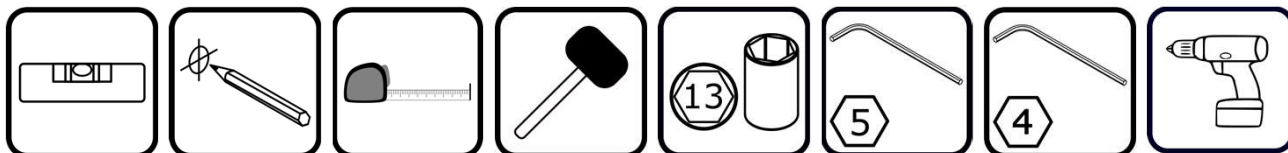
© COPYRIGHT – document number: 902936-00 – note: product specifications may change without prior notice.

BalanceBox® 650 Floor Support

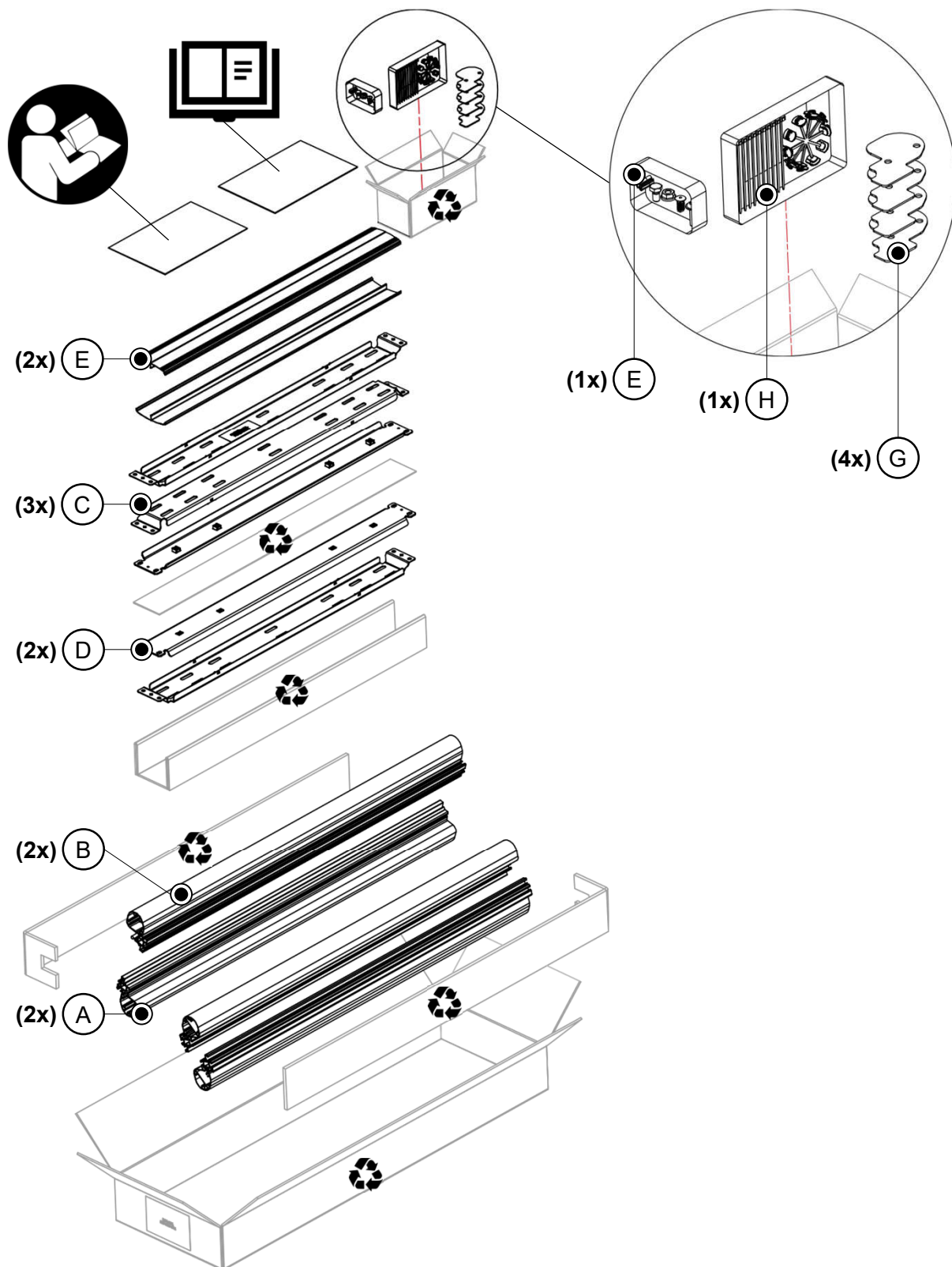
General Warnings



Tools

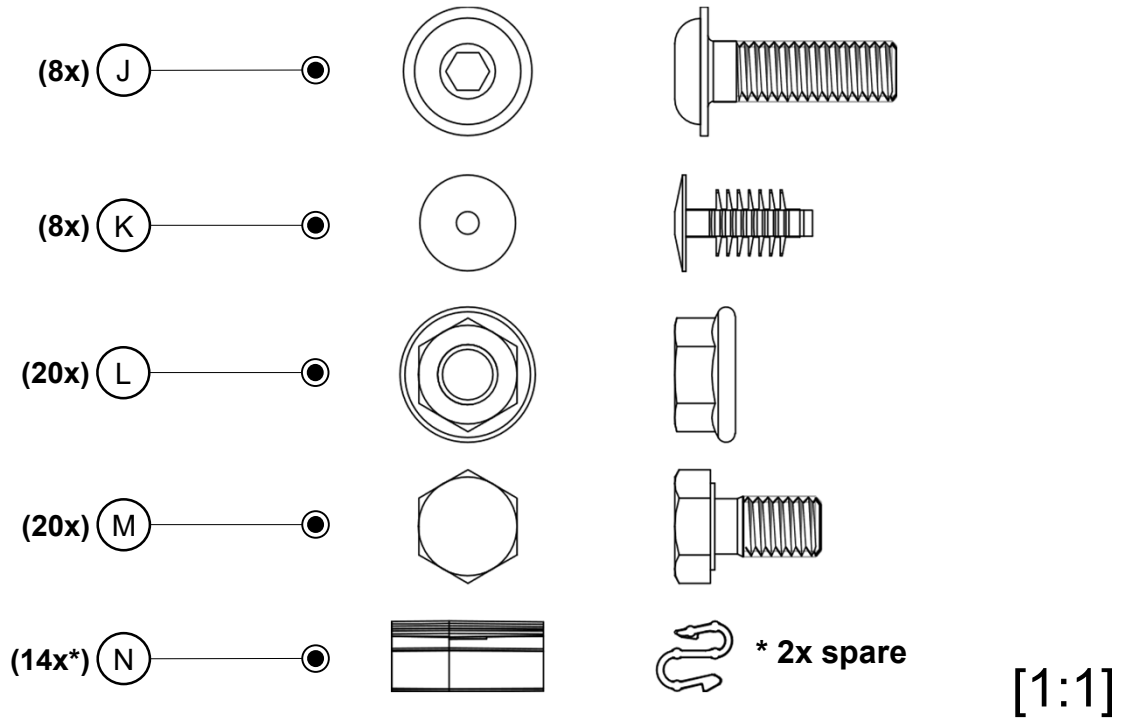


Content of the box

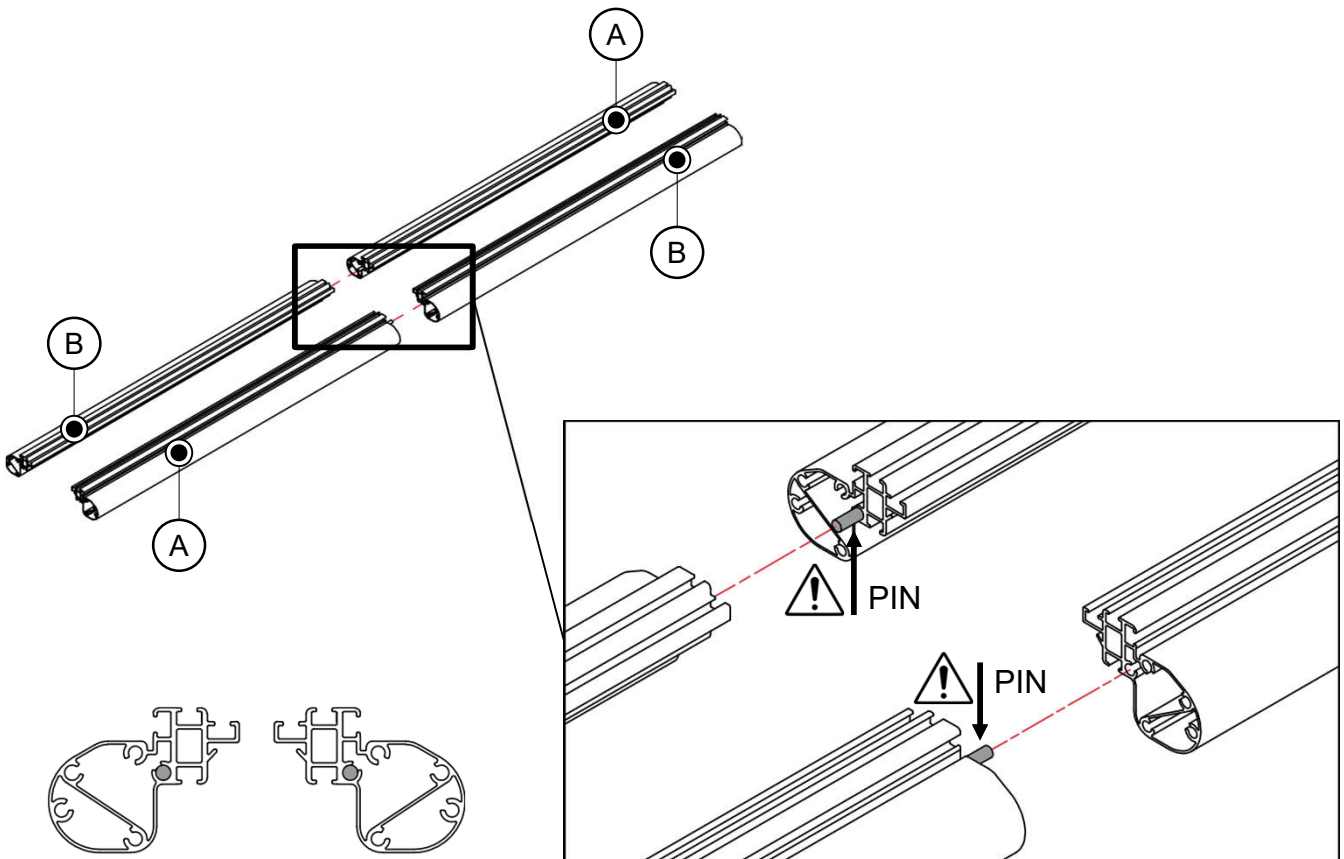


BalanceBox® 650 Floor Support

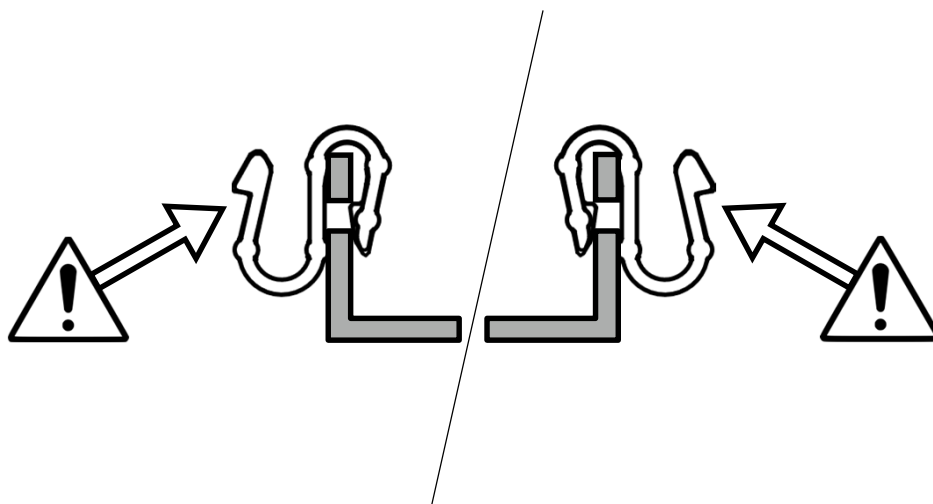
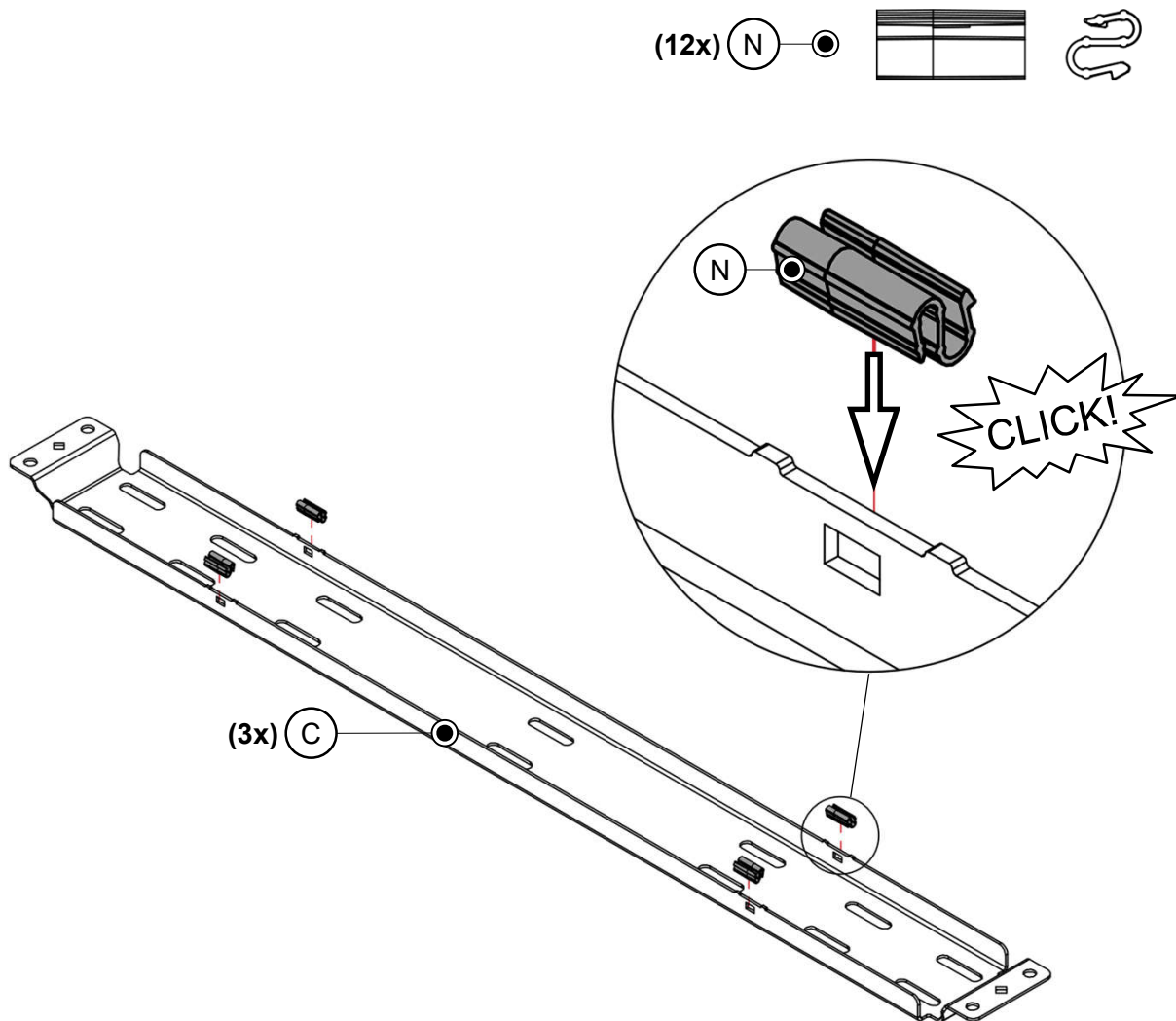
Content of Bag with Screws [E]



1 Assemble the profiles

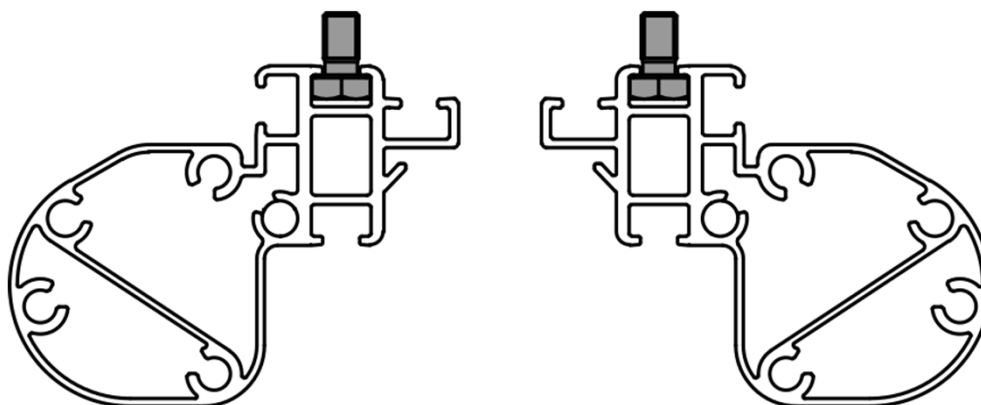
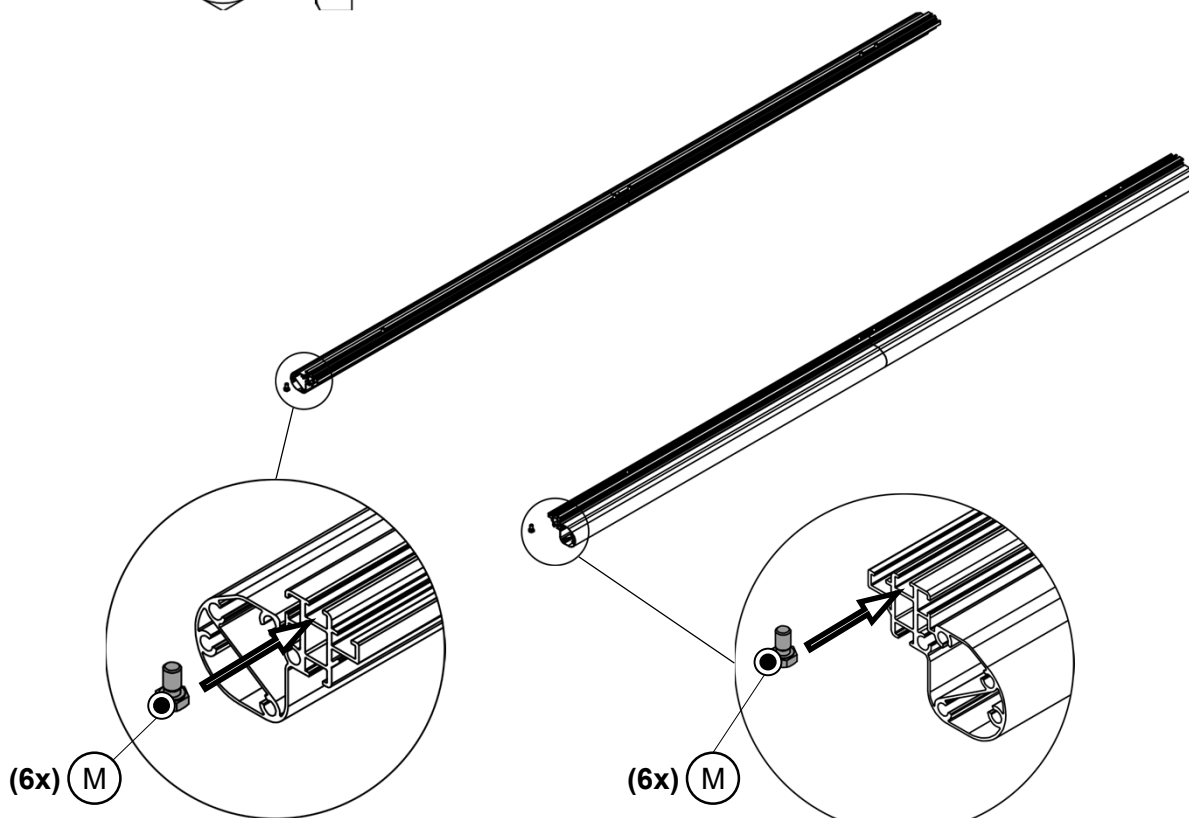
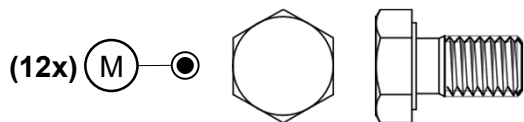


2 Mount 4x plastic spring [N] on each wall bracket [C]



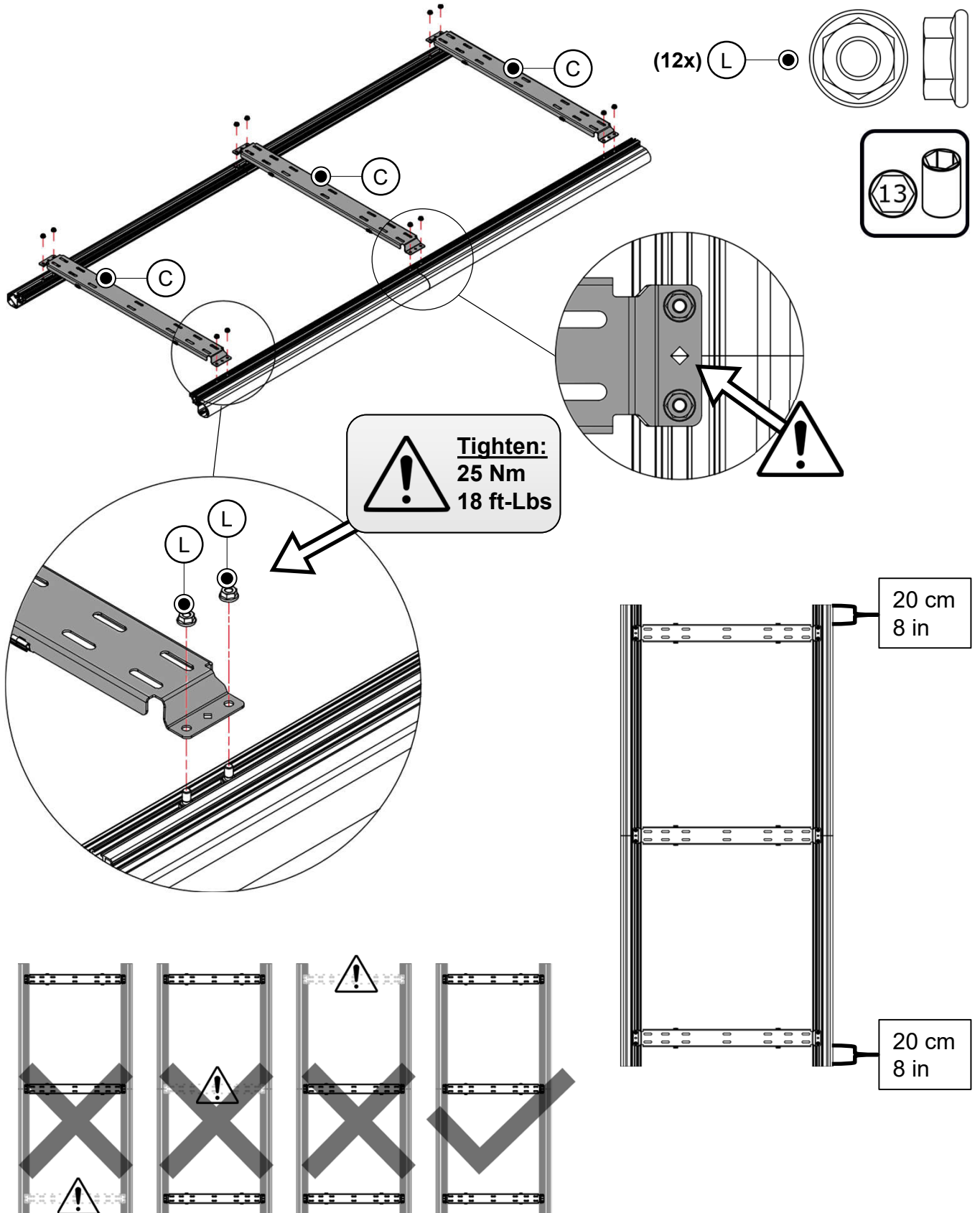
BalanceBox® 650 Floor Support

3 Insert 6 screws [M] in each profile as shown



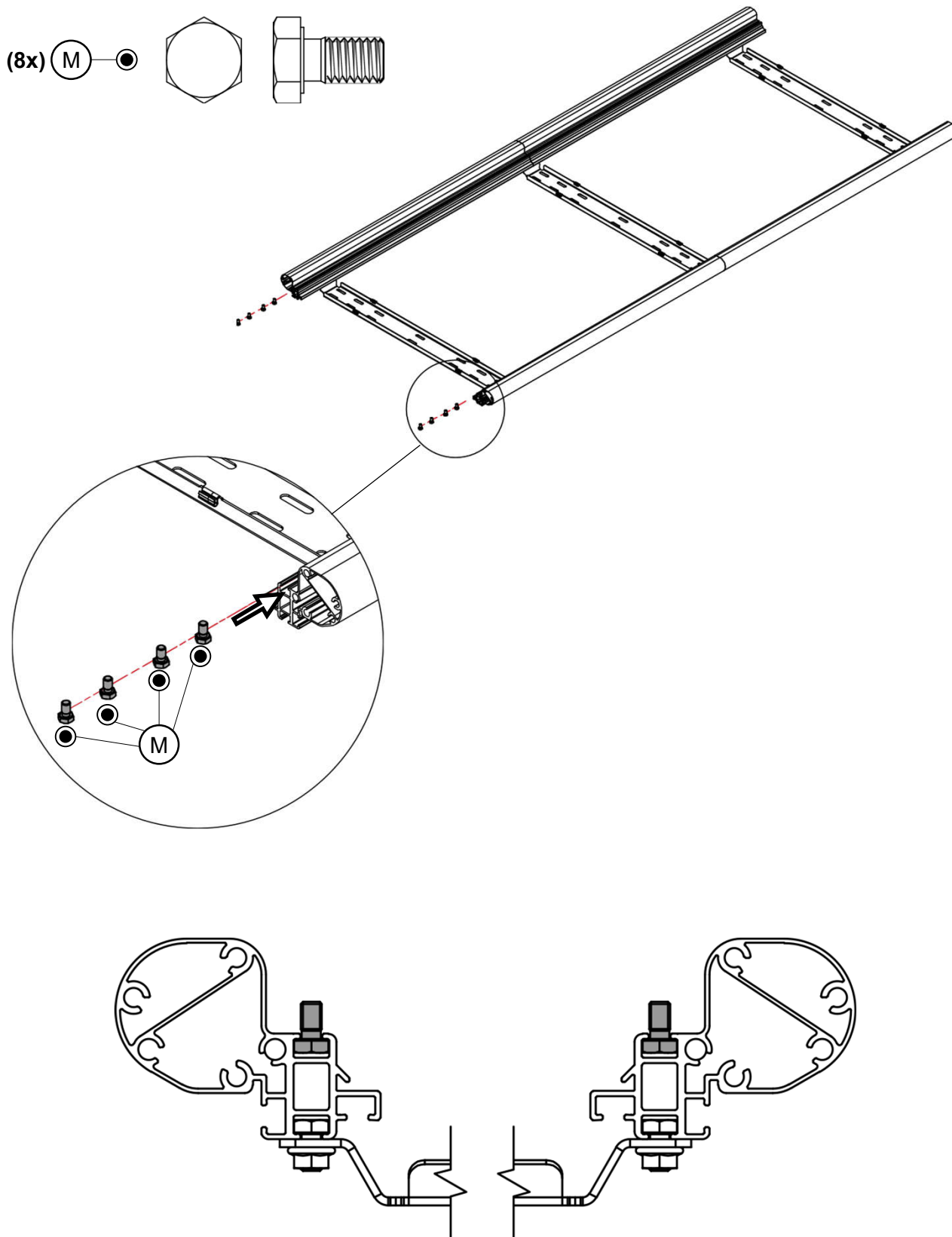
BalanceBox® 650 Floor Support

- 4** Place all 3 wall brackets [C] over the screws and mount each wall bracket with 4 nuts [L]
Make sure the middle wall bracket connects the aluminum profiles.



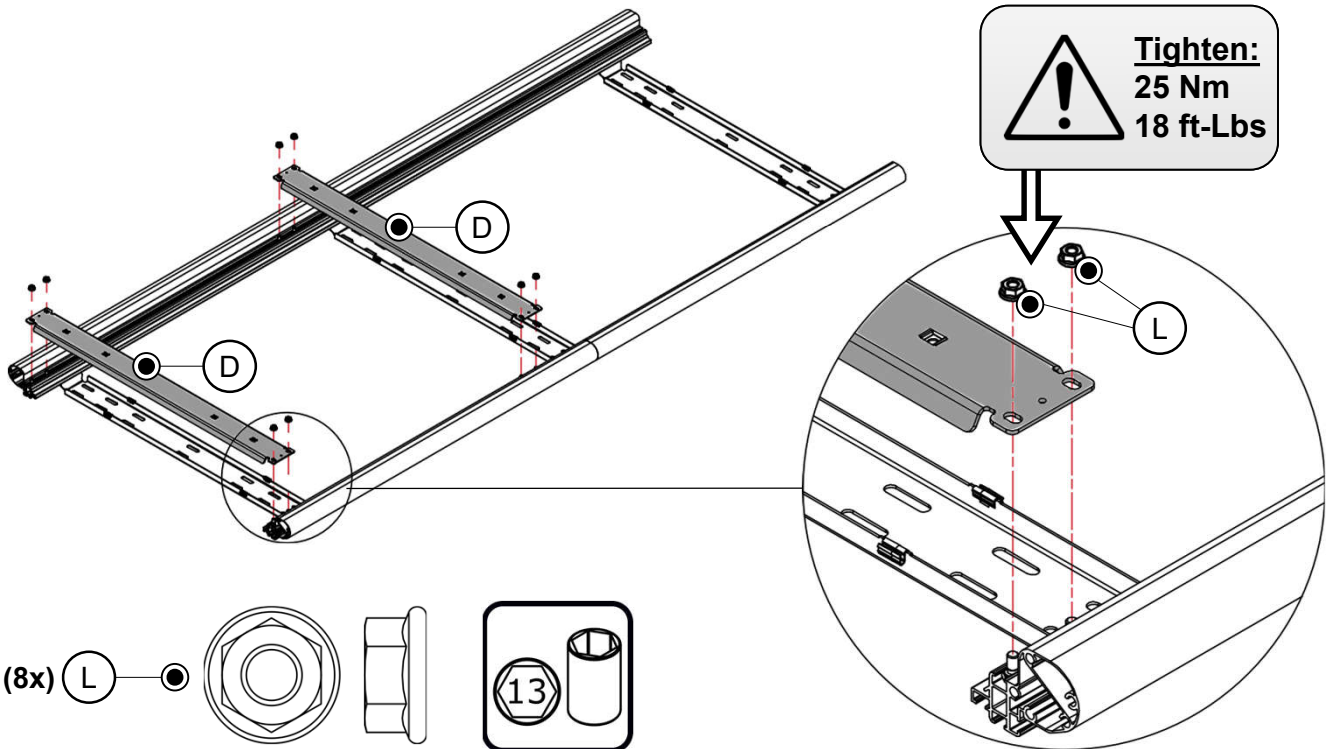
BalanceBox® 650 Floor Support

5 Insert 4 screws [M] in each profile as shown.

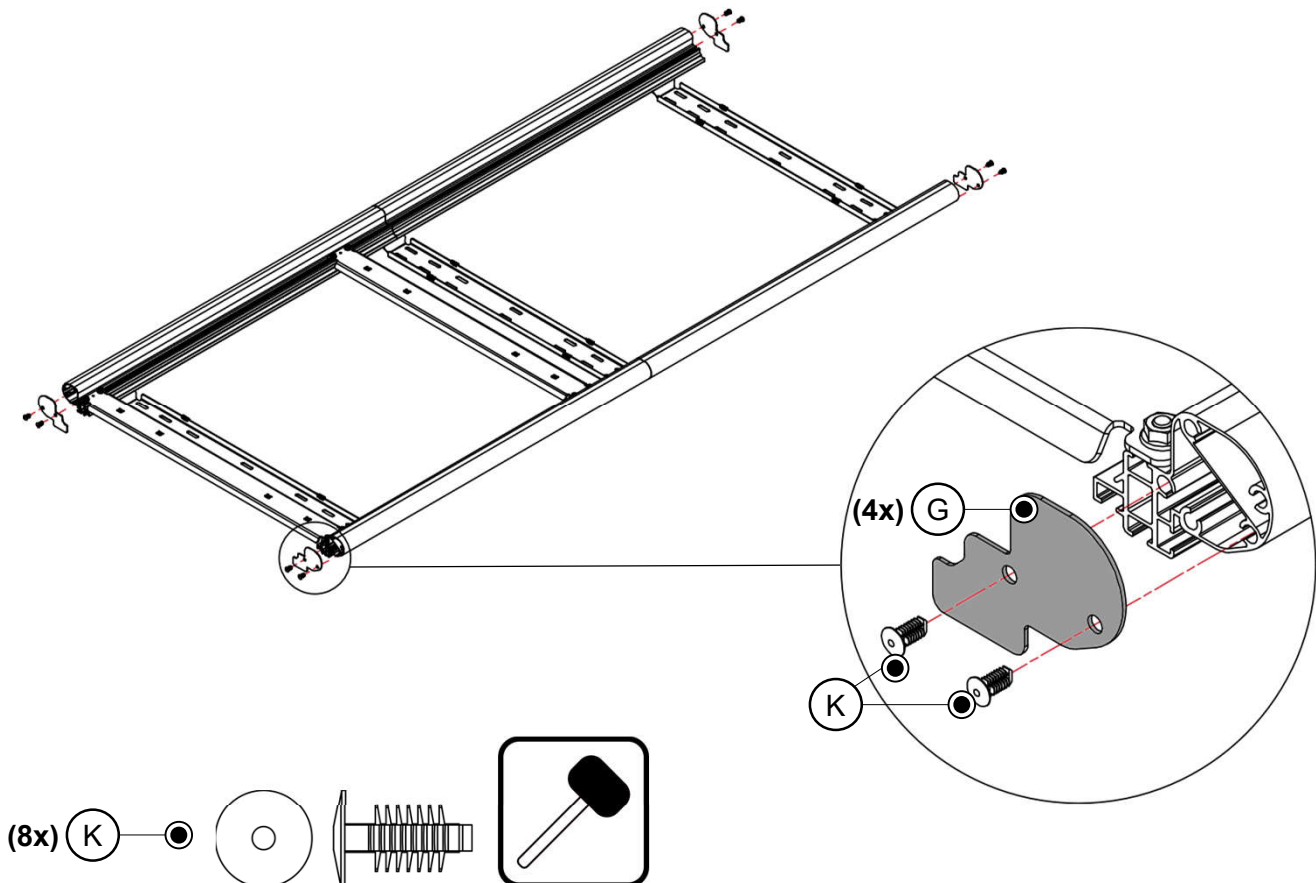


BalanceBox® 650 Floor Support

- 6** Place 2 interface brackets [D] over the screws and mount each interface bracket with 4 nuts [L]
Tighten the nuts by hand. The height setting of the BalanceBox® 650 will follow.



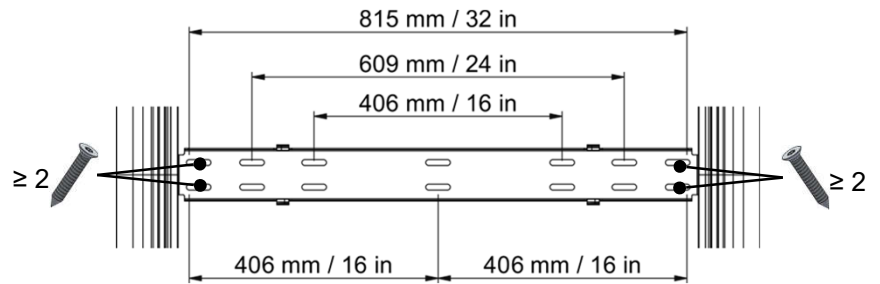
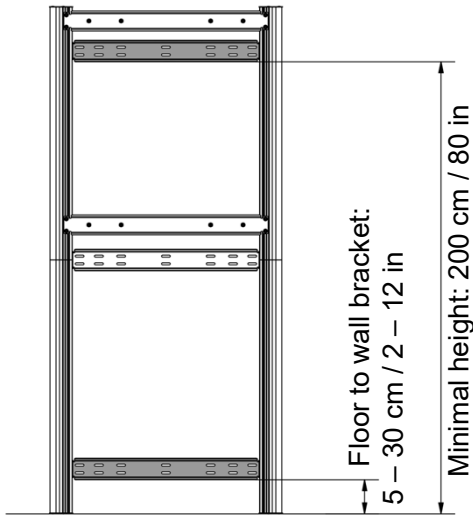
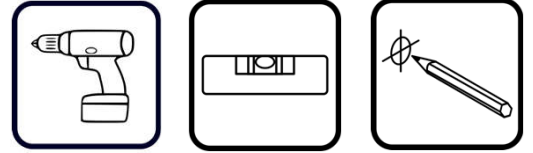
- 7** Mount the profile covers [G] on each end of the profile by using the fasteners [K]
Tap the fasteners in with a mallet.



BalanceBox® 650 Floor Support

8

Place the floor support against the wall. If needed reposition the top and bottom wall bracket.
 Mark at least 4 holes per wall bracket, 2 holes left and 2 holes right. Do this for all 3 wall brackets.
 Remove the floor support from the wall and drill the holes. Mount the floor support to the wall.



9

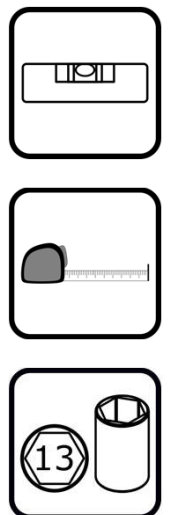
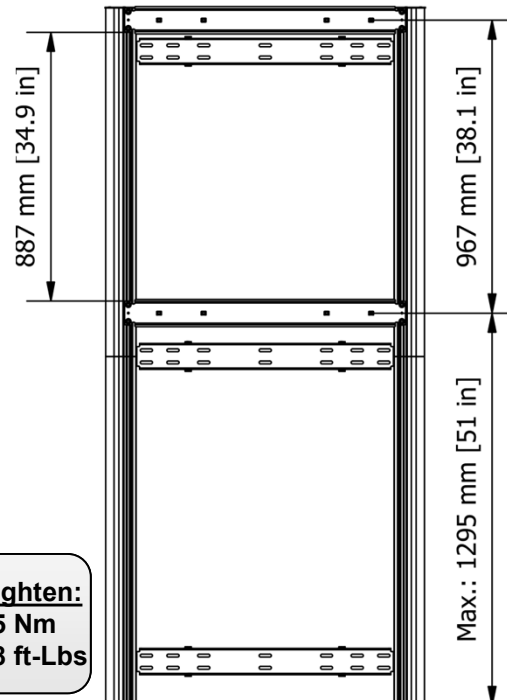
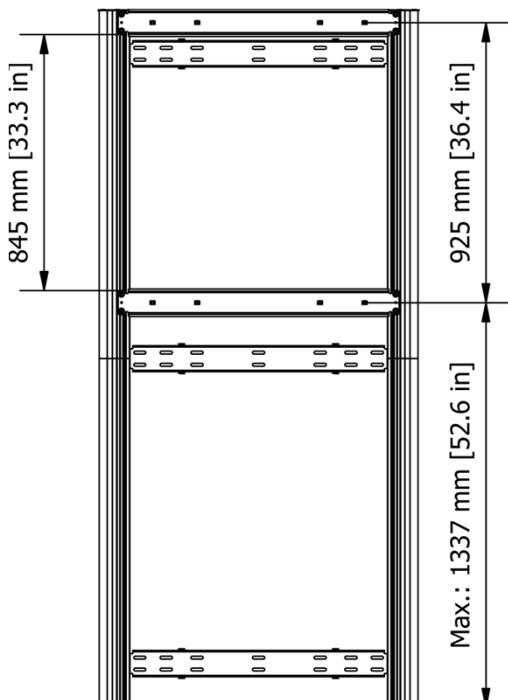
Define how high the BalanceBox® 650 needs to be. Use the [mounting height calculator](#) on the website.
 Depending on the BalanceBox® 650 version the interface brackets need to be mounted as shown below.
 Loosen the nuts in order to adjust the height of the interface brackets. After adjusting tighten the nuts well.

BalanceBox® 650 Mk.1 (Grey):

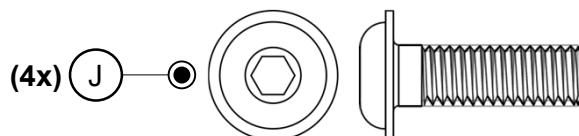
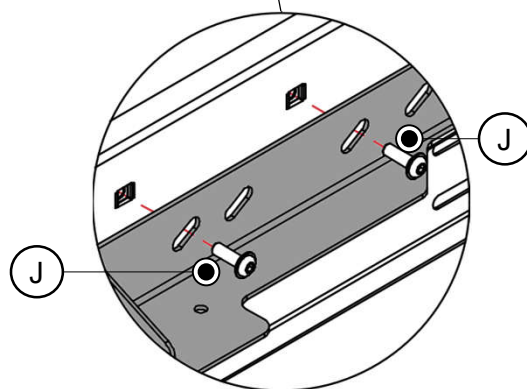
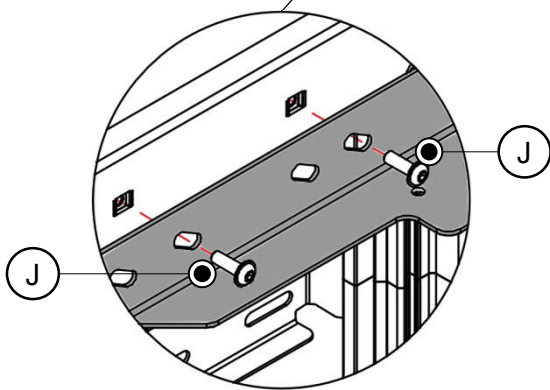
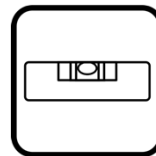
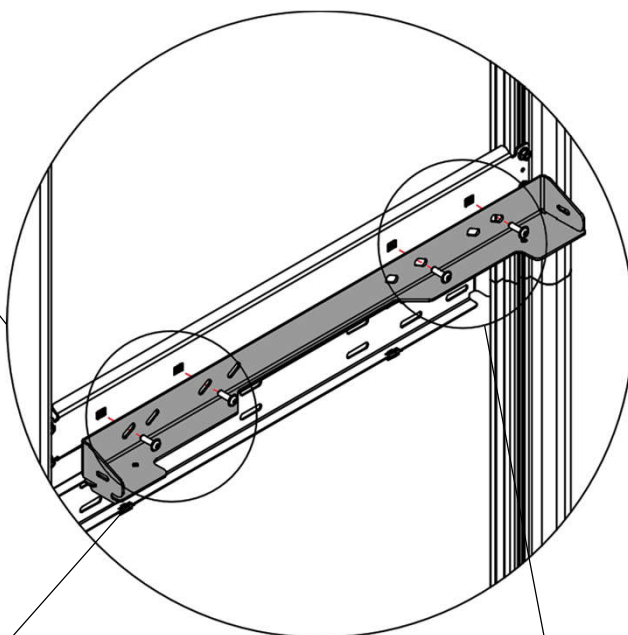
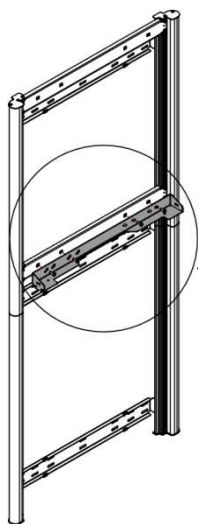
484A07, 484A08, 484A09, 484A10

BalanceBox® 650 Mk.2 (Black):

484A17, 484A18, 484A19, 484A20



- 10** Mount the wall bracket to the lower interface bracket [D] of the floor support.
Use 4x screw [J] Tighten well.



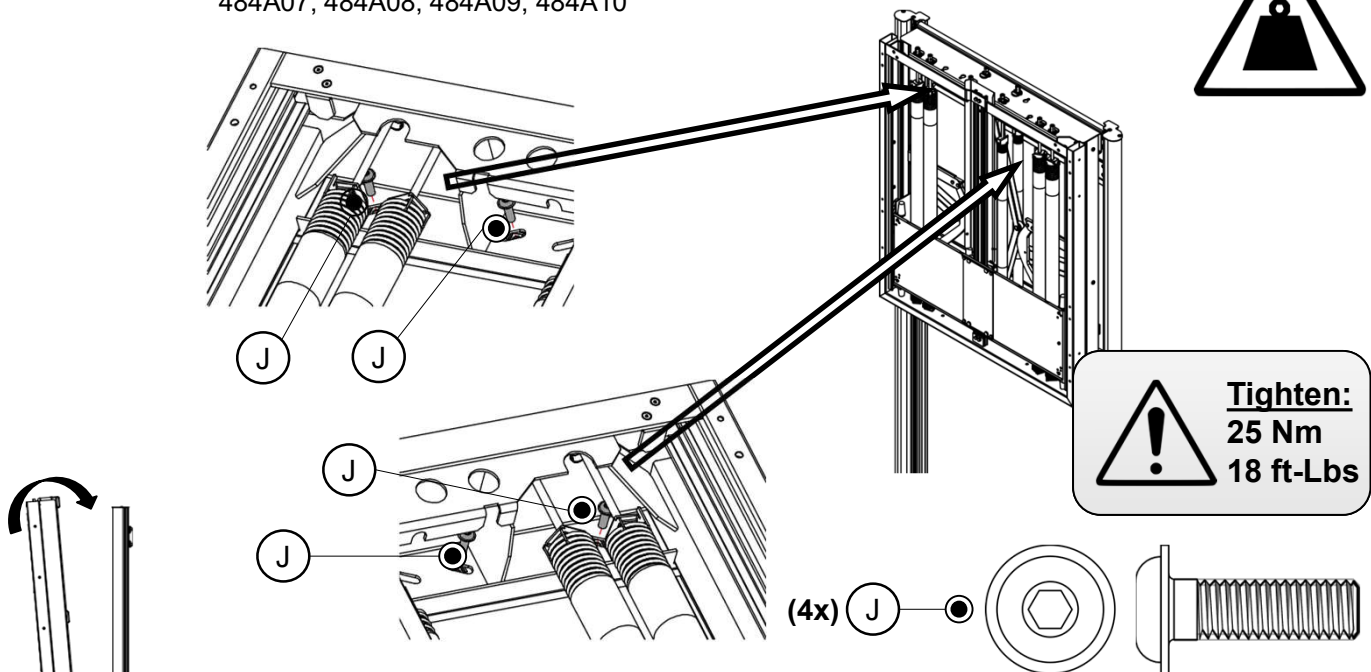
BalanceBox® 650 Floor Support

Make sure all covers of the BalanceBox® 650 are removed according manual.

- 11** Mount the BalanceBox® 650 onto the floor support. Place the BalanceBox® 650 onto the wall bracket.
Use 4 screws [J] to secure the BalanceBox® 650 at the top.

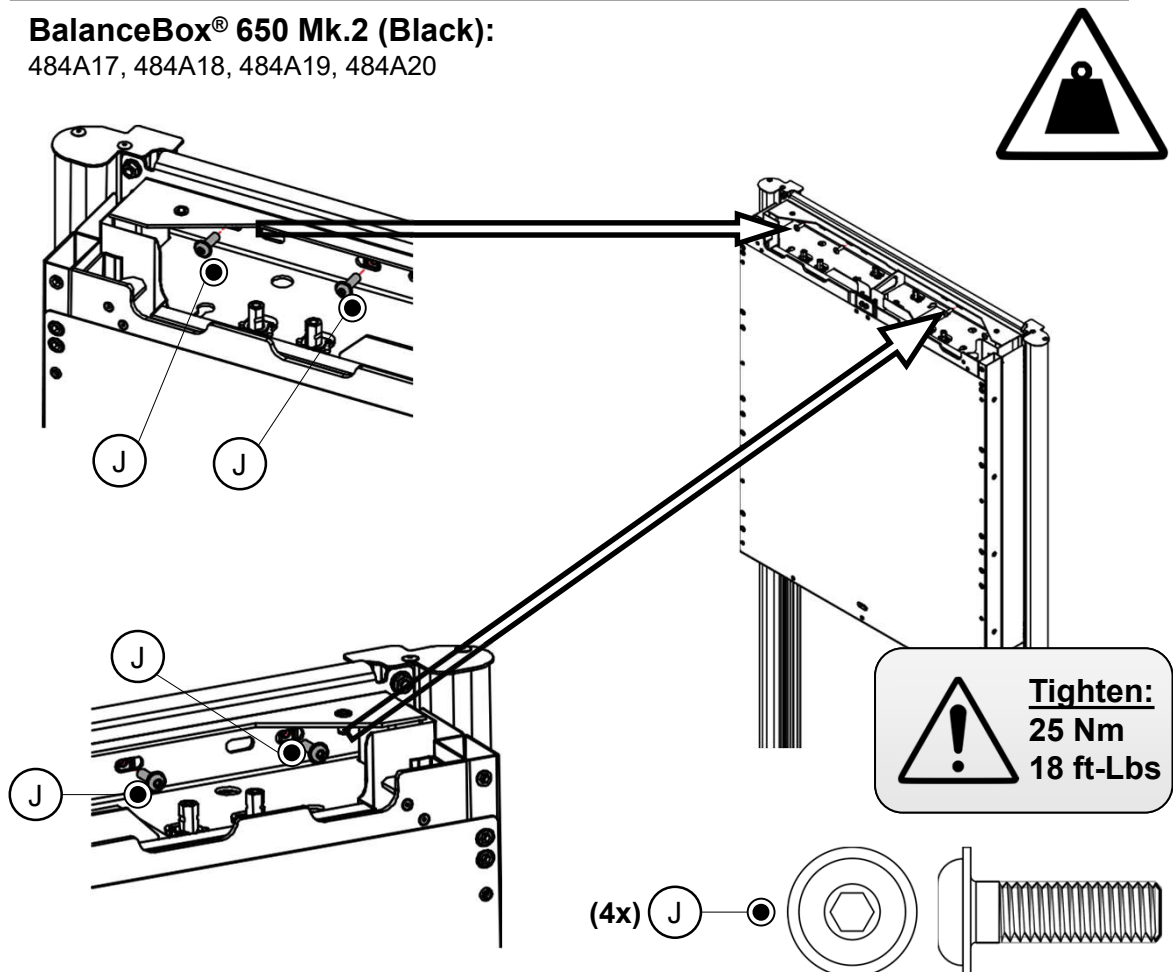
BalanceBox® 650 Mk.1 (Grey):

484A07, 484A08, 484A09, 484A10



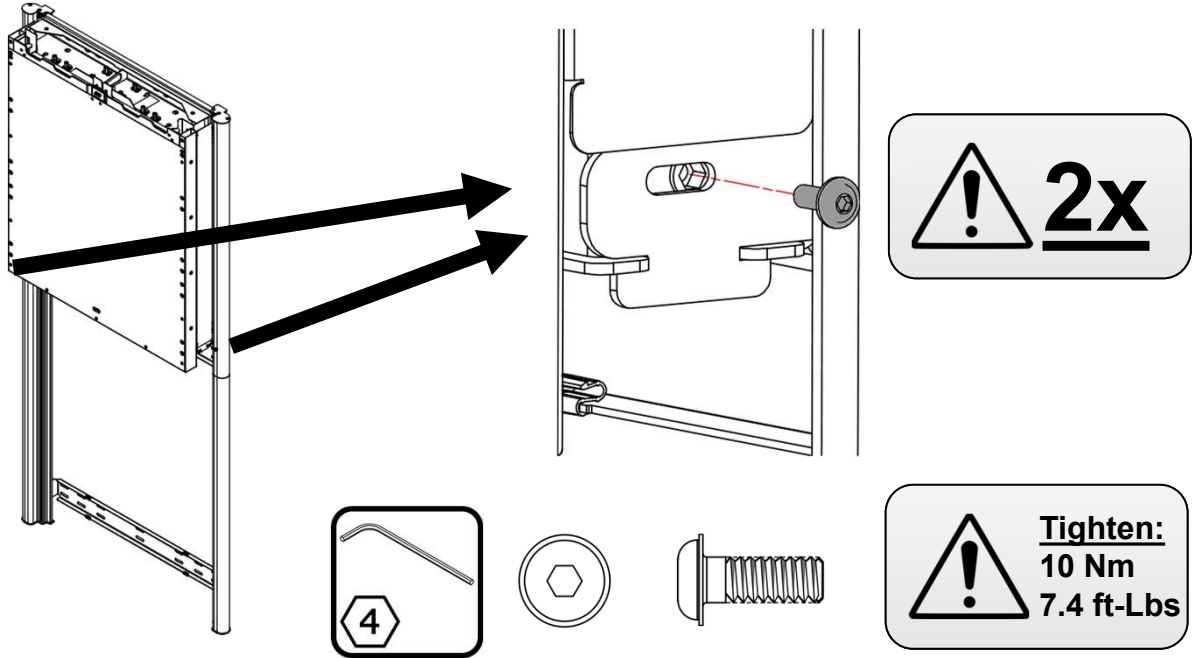
BalanceBox® 650 Mk.2 (Black):

484A17, 484A18, 484A19, 484A20



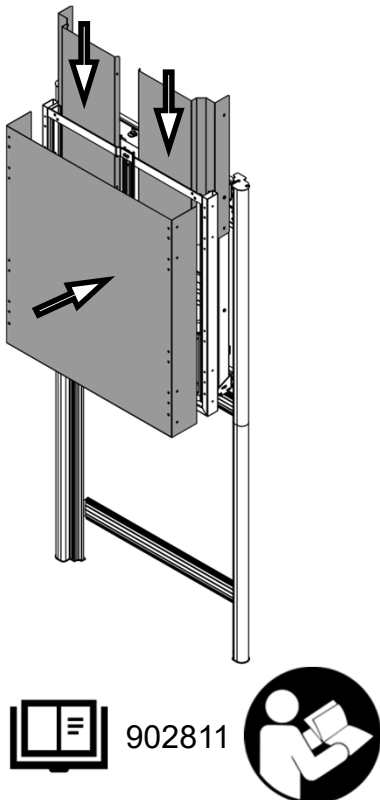
BalanceBox® 650 Floor Support

- 12** Secure the BalanceBox® 650 on each side to the wall bracket.
Use 2x screw included with the BalanceBox® 650.

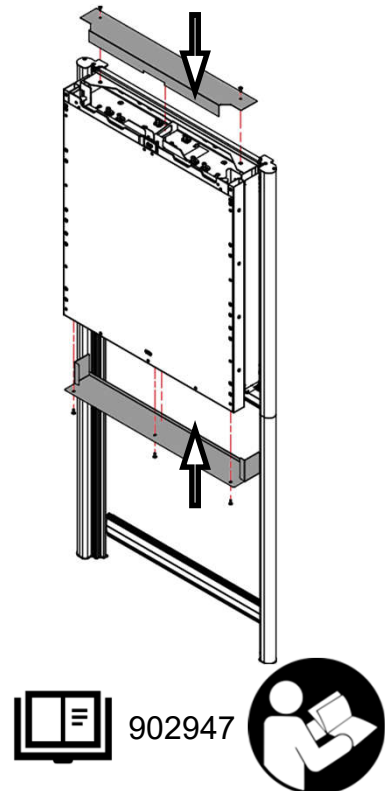


- 13** After mounting the BalanceBox® 650, place all covers back according to the manual.

BalanceBox® 650 Mk.1 (Grey):
484A07, 484A08, 484A09, 484A10

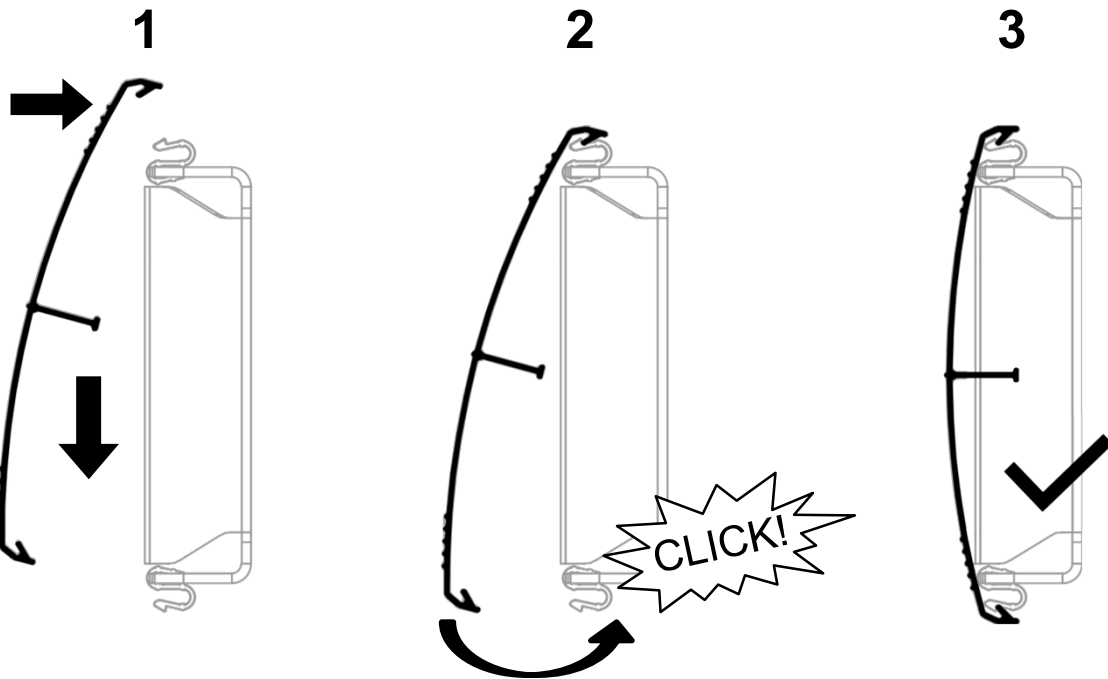
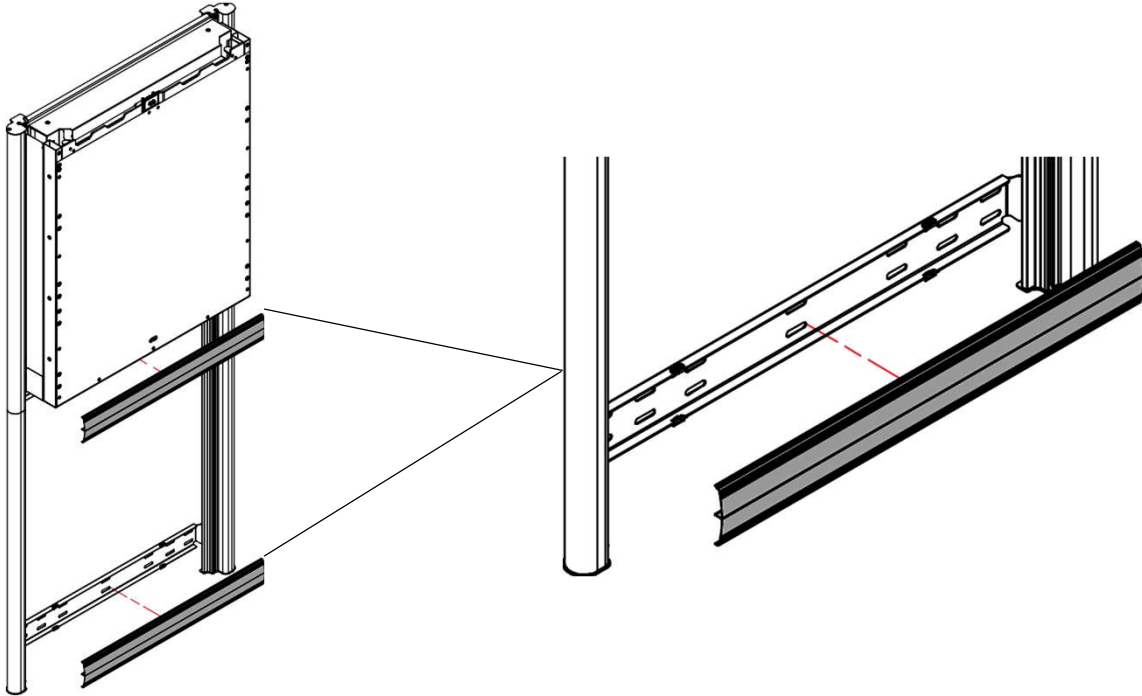


BalanceBox® 650 Mk.2 (Black):
484A17, 484A18, 484A19, 484A20



BalanceBox® 650 Floor Support

14 Place 2 covers [E] on the wall brackets [C] that are visible



2x

- 15** For mounting the VESA bracket #481A70 to the BalanceBox® 650, please follow manual 902916 (including with 481A70)



902916





© COPYRIGHT – document number: 902936-00 – note: product specifications may change without prior notice.