

BalanceBox® PowerPack features

- A steel housing with mounting solutions compatible with the specified AC70P Portable Power Station and BalanceBox® and e-Box® products.
- The Portable Power Station will provide an off-grid or UPS Power solution for up to 3 hours depending on the panel size and Power consumption.
- The Portable Power Station is UL and CE certified
- Turbo charging 45 minutes to 80% capacity.
- 2x 120V outlets, 1000W total; 4x USB outlets
- The lockable housing provides a solid mounting solution for selected BalanceBox® and e-Box® products.
- The lockable housing can be used to store the charging cable.
- Specific part numbers for different solutions combine all mounting brackets and hardware per solution in a box.
- Easy install, plug & play, brand and panel size independent solution.

Ordering information

481A96002	PowerPack for e-Box® II Mobile Stand (487A11011) & Mobile Stand Mix® (481A71001)	<i>Included: Lockable housing, mounting bracket and fasteners</i>
481A96003	PowerPack for e-Box® Tilt&Table (487A03)	<i>Included: Lockable housing, mounting brackets and fasteners</i>
481A96004 <small>(Available from Q4 2024)</small>	XL Wheels for e-Box® Tilt&Table (487A03)	<i>Set of 4 extra large wheels</i>
481A99002	AC70P Portable Power Station EU 230V 1000W 864Wh	<i>Order together with the PowerPack variant of your choice, or select a bundle from the list below</i>

PowerPack bundles

488A36	Mobile Stand Mix® (481A71001) & PowerPack (481A96002) & AC70P Portable Power Station EU 230V 1000W 864Wh (481A99002)
488A37	e-Box® II Mobile Stand (487A11011) & PowerPack (481A96002) & AC70P Portable Power Station EU 230V 1000W 864Wh (481A99002)
488A38	e-Box® Tilt&Table (487A03) & PowerPack (481A96003) & AC70P Portable Power Station EU 230V 1000W 864Wh (481A99002)
488A39 <small>(Available from Q4 2024)</small>	e-Box® Tilt&Table (487A03) with XL wheels (481A96004) & PowerPack (481A96003) & AC70P Portable Power Station EU 230V 1000W 864Wh (481A99002)

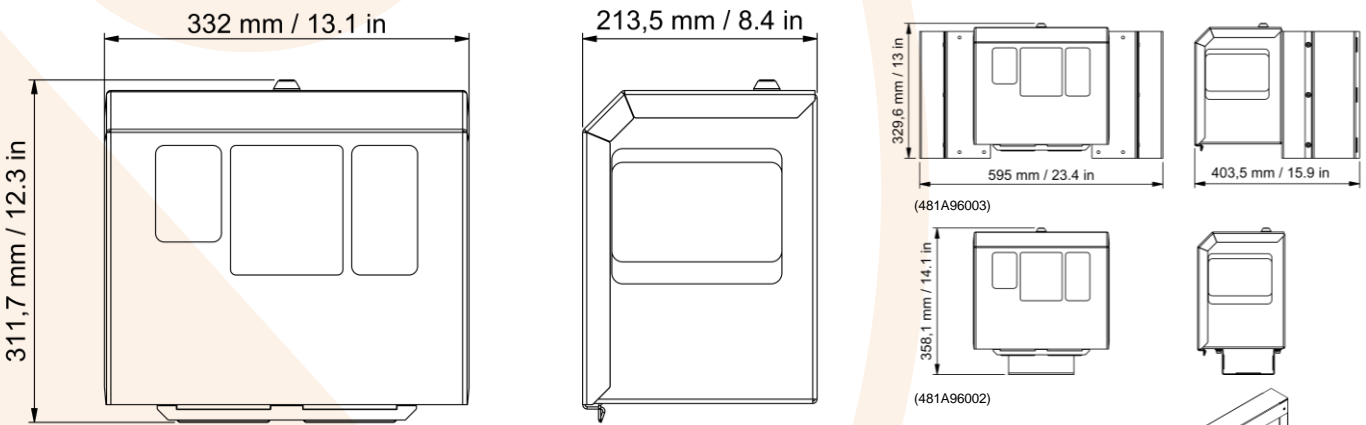
© COPYRIGHT – Datasheet (revision 01) – note: product specifications may change without prior notice.



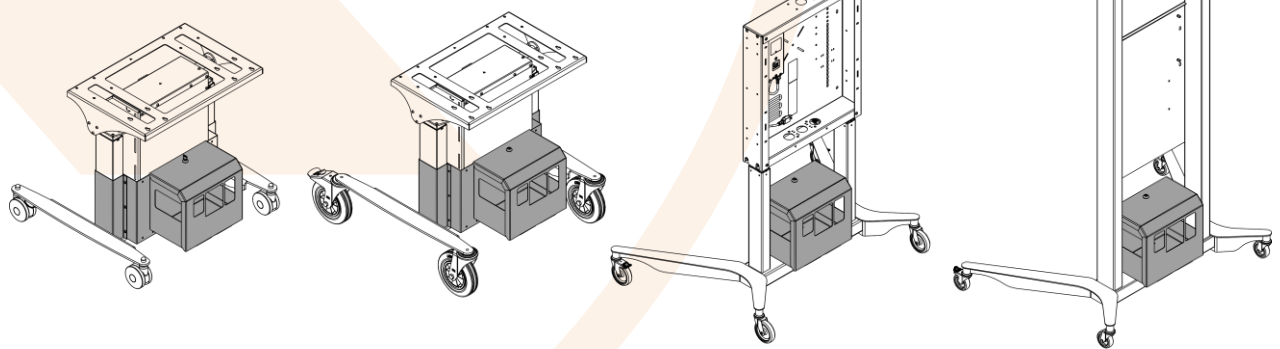
Dimensions	Width	Height	Depth	Weight
Product dimensions				
PowerPack	332 mm [13.1 inch]	312 mm [12.3 inch]	214 mm [8.43 inch]	6,3 kg [13.9 Lbs]
With additional adapters for:				
• Tilt&Table	595 mm [24.4 inch]	330 mm [13 inch]	404 mm [15.9 inch]	11,5 kg [25.4 Lbs]
• e-Box® II Mobile Stand & Mobile Stand Mix®	332 mm [13.1 inch]	358 mm [14.1 inch]	214 mm [8.43 inch]	7 kg [15.4 Lbs]
Shipping dimensions of PowerPack variations				
Mobile Stand Mix® variant	360 mm [14.2 inch]	360 mm [14.2 inch]	360 mm [14.2 inch]	9 kg [19.9 Lbs]
e-Box® II Mobile Stand variant	"	"	"	9 kg [19.9 Lbs]
Tilt&Table variant	"	"	"	13,5 kg [29.8 Lbs]
XL Wheels for e-Box® Tilt&Table (487A03)	"	"	"	## kg [## Lbs]

Technical specifications

Maximum weight capacity	15 kg [33.1 Lbs]
Material	Steel structural parts
Color	RAL9005 Black, powder coated
In conformance with	CE
Electric	240V, 50-60Hz; 10% duty cycle (6min/hour); Power consumption max 300W; Stand-by Power consumption 0,1 W 12' [3,6 meter] Power lead for Europe included (C13/type-E)



Possible mounting options:



Mounted on e-Box® Tilt&Table

Mounted on e-Box® Tilt&Table with XL Wheels

Mounted on e-Box® II Mobile Stand

Mounted on Mobile Stand Mix®

© COPYRIGHT – Datasheet (revision 01) – note: product specifications may change without prior notice.